

# Sprung lever handles RR

6640HANDLE

6640 lever handle

## Application:

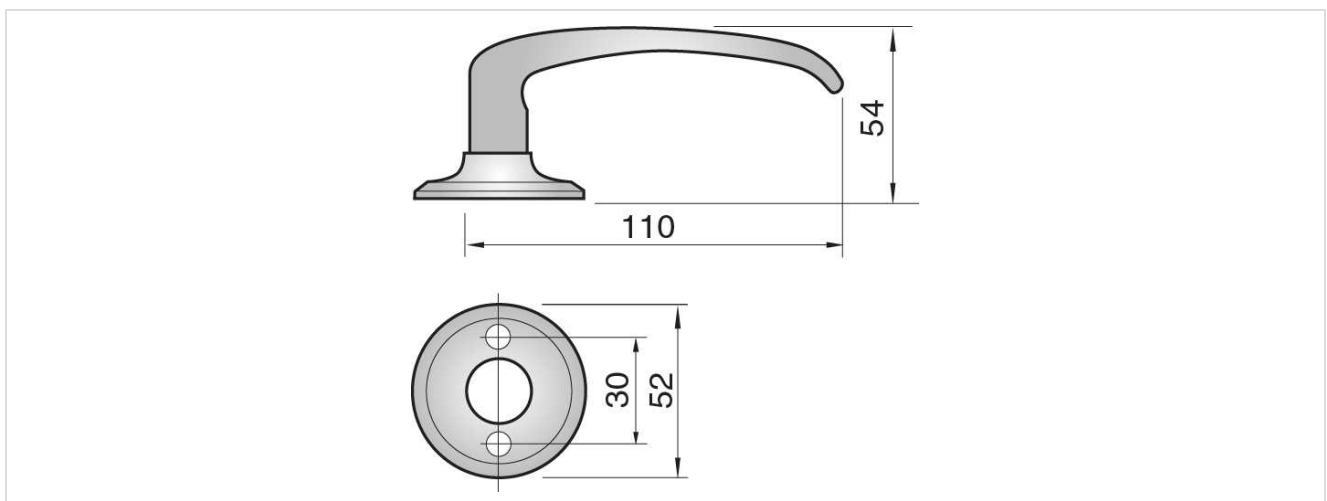
- Sprung handles of solid brass
- For heavy and very heavy use
- Suitable for ASSA Connect, Modular and Compact lockcases only
- Double action to permit, flip-up operation with suitable locks



## Specification:

Solid brass with captive roses and bolt through fixing.  
Suitable for very heavy use.

## Technical Design:



## Variants:

Code	Description
47004151211	6640 HANDLE
47004151213	6640 HANDLE
47004151220	6640 HANDLE