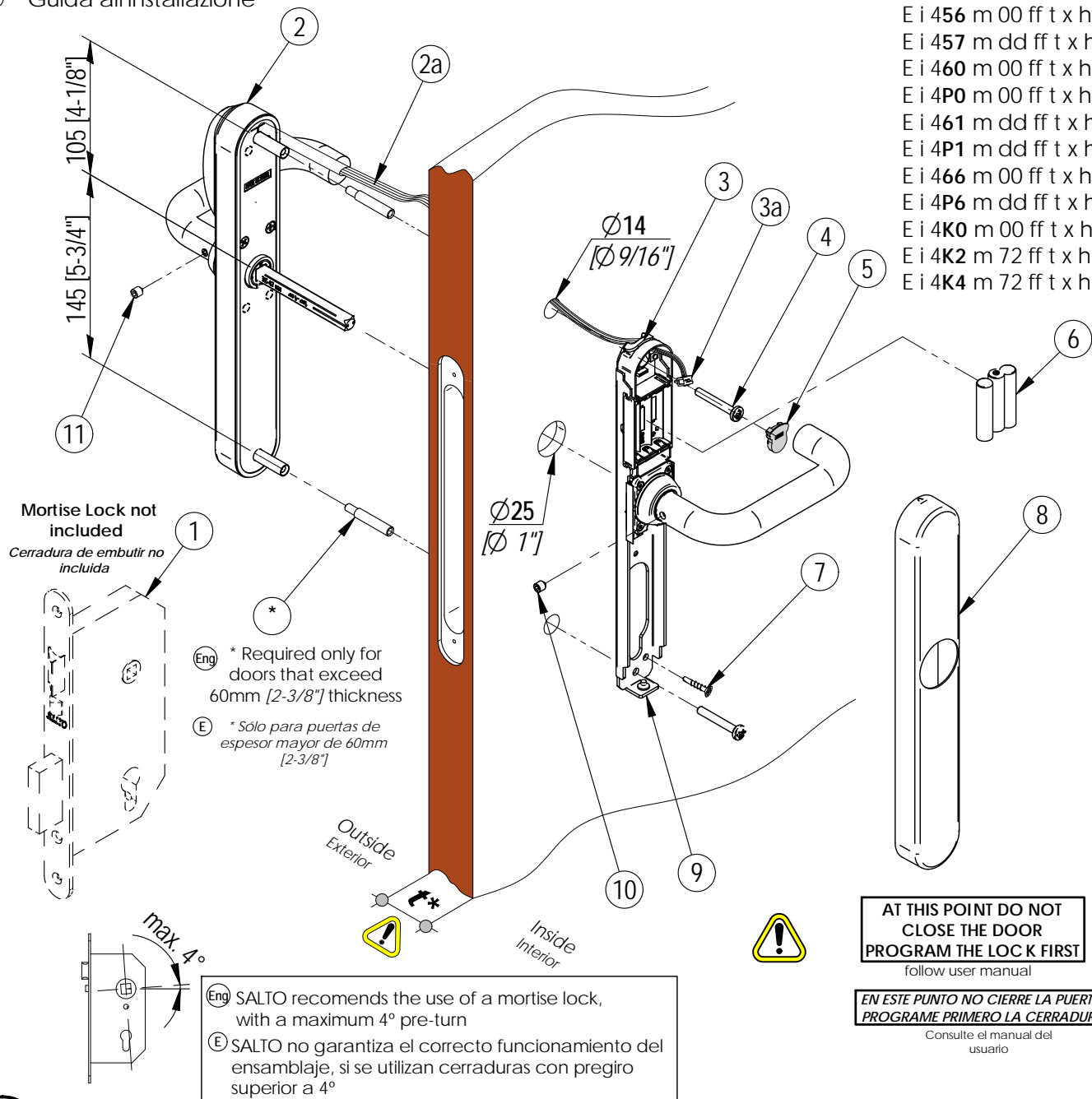


- (Eng) Installation guide
- (E) Guía de instalación
- (D) Montageanleitung
- (F) Guide d'installation
- (I) Guida all'installazione

- Ei 450 m 00 ff t x h r series
- Ei 451 m dd ff t x h r
- Ei 452 m dd ff t x h r
- Ei 453 m dd ff t x h r
- Ei 454 m dd ff t x h r
- Ei 456 m 00 ff t x h r
- Ei 457 m dd ff t x h r
- Ei 460 m 00 ff t x h r
- Ei 4P0 m 00 ff t x h r
- Ei 461 m dd ff t x h r
- Ei 4P1 m dd ff t x h r
- Ei 466 m 00 ff t x h r
- Ei 4P6 m dd ff t x h r
- Ei 4K0 m 00 ff t x h r
- Ei 4K2 m 72 ff t x h r
- Ei 4K4 m 72 ff t x h r



**(Eng) Declaration of conformity**  
By means of the present Salto Systems S.L. (Pol. Lanbarren C/Arkotz, 9 - 20180 Oiartzun - Spain - CIF B20708517), declares that this equipment fulfills the essential requirements and any other applicable or indispensable dispositions of the Directive 1999/5/CE or the Directive 89/336/EEC. You will be able to find a copy of the original declaration of conformity at the following Internet address:  
<http://www.saltosystems.com>

All proximity models are "Receiver class 3".

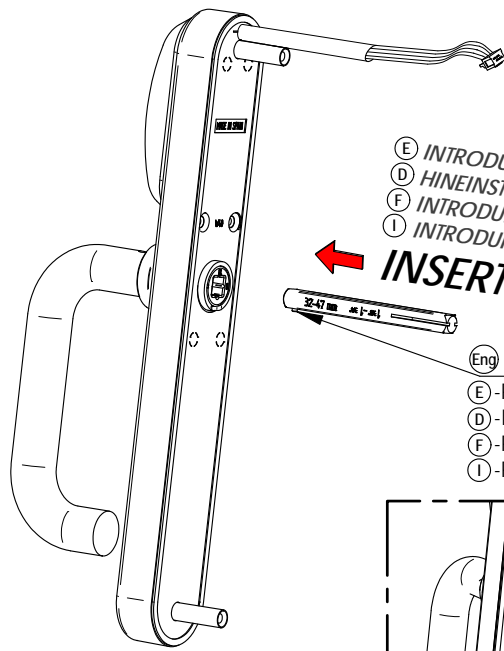
**(E) Declaración de conformidad**  
Por medio de la presente Salto Systems S.L. (Pol. Lanbarren C/Arkotz, 9 - 20180 Oiartzun - Spain - CIF B20708517), declara que este equipo cumple con los requisitos esenciales y cualesquiera otras disposiciones aplicables o exigibles de la Directiva 1999/5/CE o la Directiva 89/336/EEC. Podrá encontrar una copia de la declaración de conformidad original en la siguiente dirección de Internet:  
<http://www.saltosystems.com>

Todos los modelos de proximidad son "Receiver class 3".

## ONLY FOR PROXIMITY MODELS

**Note:** This equipment has been tested and found to comply with the limits for a Class B digital device, pursuant to part 15 of the FCC Rules. These limits are designed to provide reasonable protection against harmful interference in a residential installation. This equipment generates, uses, and can radiate radio frequency energy and, if not installed and used in accordance with the instructions may cause harmful interference to radio communications. However, there is no guarantee that interference will not occur in a particular installation. If this equipment does cause harmful interference to radio or television reception, which can be determined by turning the equipment off and on, the user is encouraged to try to correct the interference by one or more of the following measures:

- Reorient or relocate the receiving antenna.
- Increase the separation between the equipment and receiver.
  - Connect the equipment into an outlet on a circuit different from that to which the receiver is connected.
  - Consult the dealer or an experienced radio/TV technician for help.

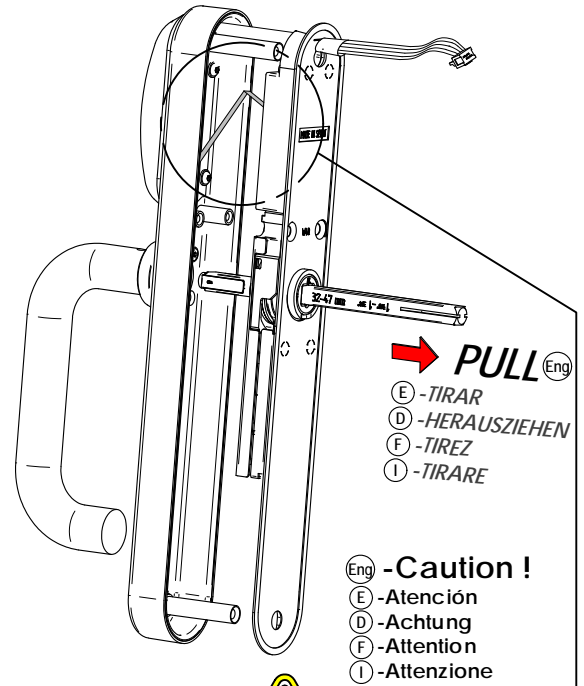
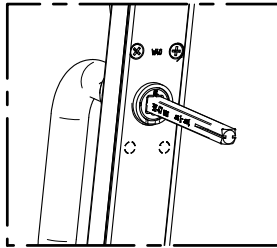


- (E) INTRODUCIR
- (D) HINEINSTECKEN
- (F) INTRODUIRE
- (I) INTRODURRE

**INSERT** (Eng)

(Eng) **PUSH**

- (E) -PULSAR
- (D) -DRÜCKEN
- (F) -POUSSEZ
- (I) -PREMERE

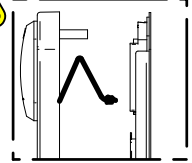


**PULL** (Eng)

- (E) -TIRAR
- (D) -HERAUSZIEHEN
- (F) -TIREZ
- (I) -TIRARE

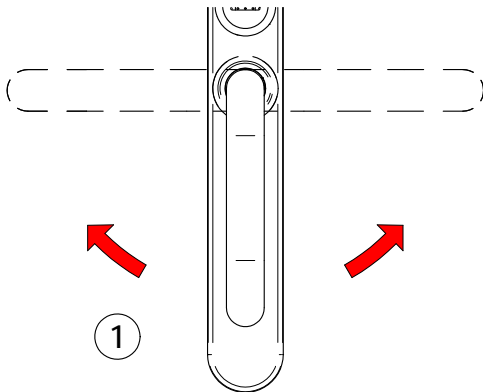
(Eng) **-Caution !**

- (E) -Atención
- (D) -Achtung
- (F) -Attention
- (I) -Attenzione



(Eng) **-Do not disconnect !**

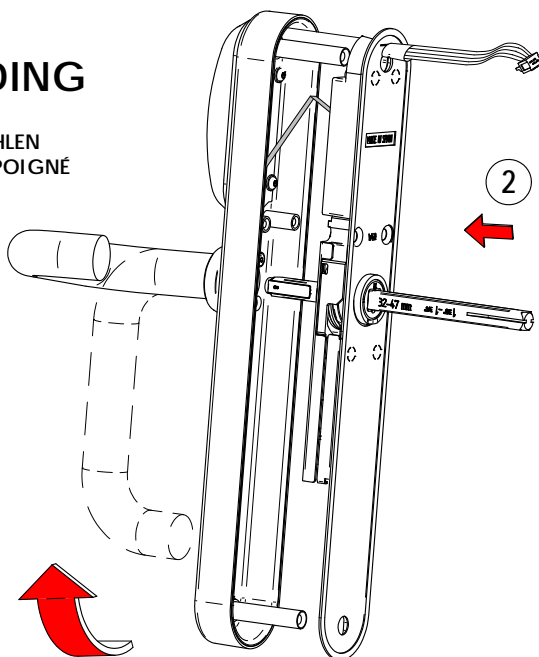
- (E) -No desconectar
- (D) -Verbindung nicht unterbrechen
- (F) -Ne pas déconnecter
- (I) -No scollegare



1

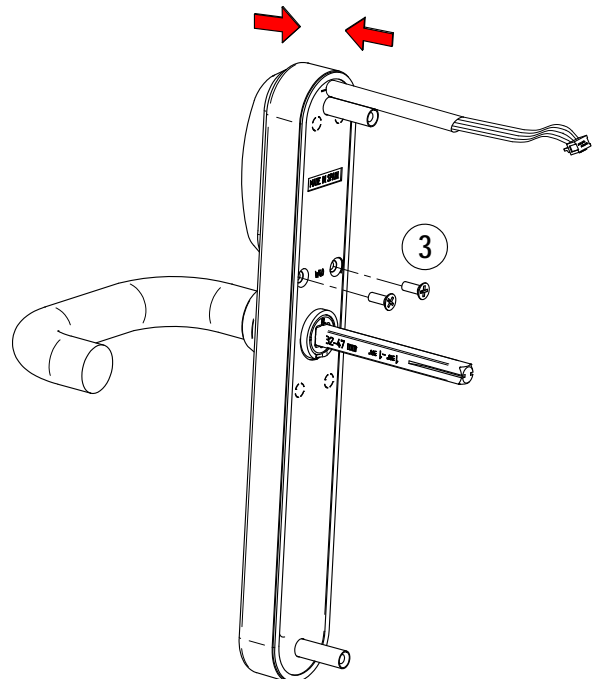
(Eng) **SELECT HANDING**

- (E) -SELECCION MAN O
- (D) -DRÜCKERRICHTUNG WÄHLEN
- (F) -CHOISIR LE SENSE DE LE POIGNÉ
- (I) -SELEZIONARE MANO

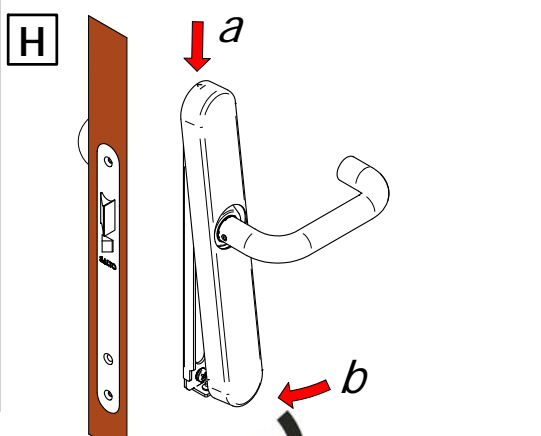
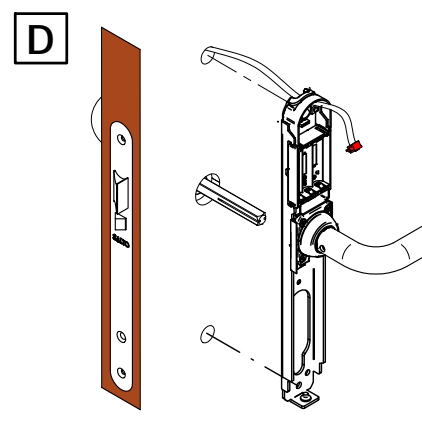
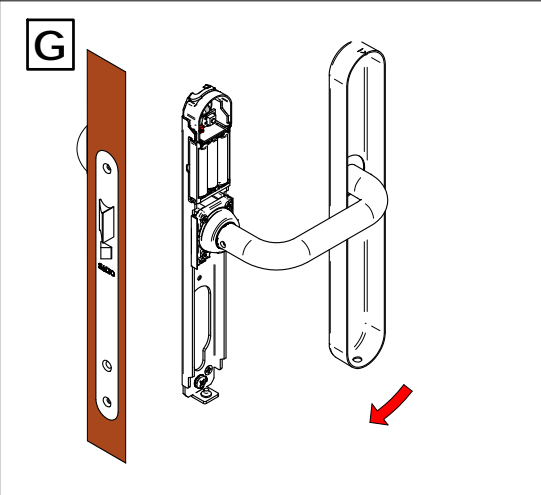
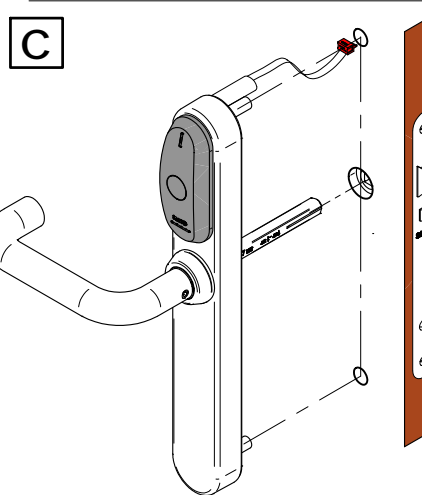
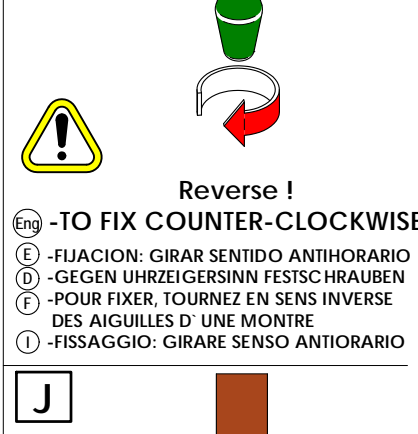
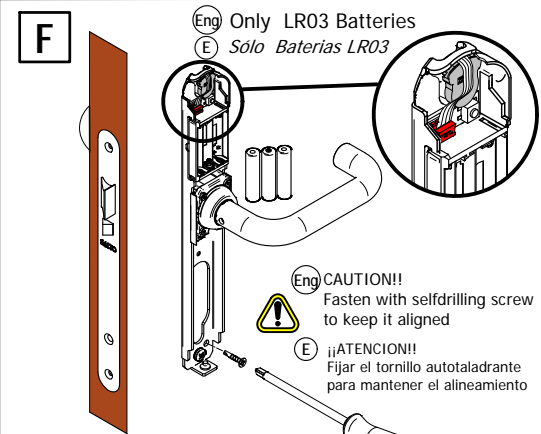
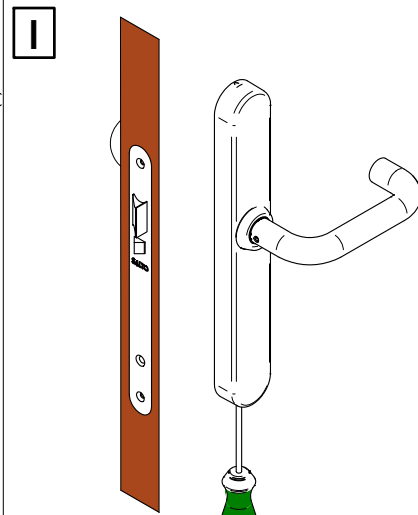
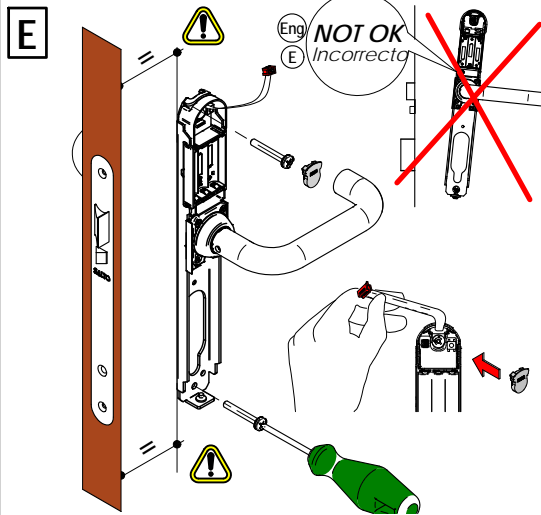
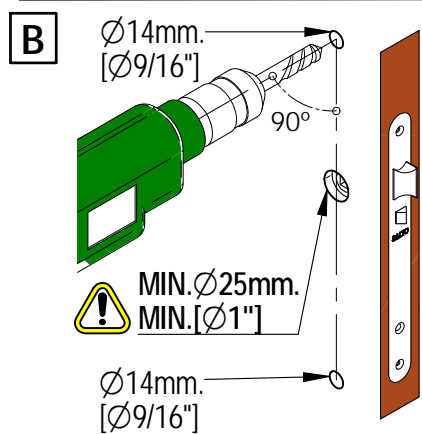
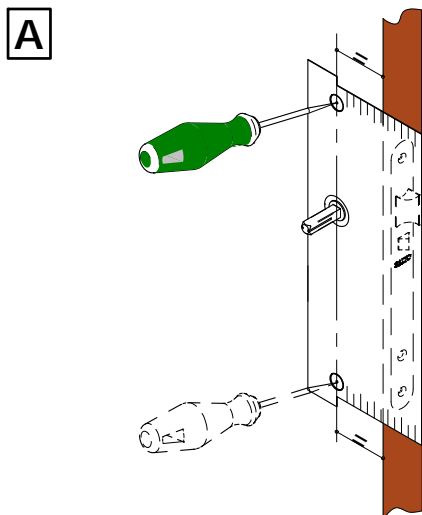


2

1



3



Eng

**AT THIS POINT DO NOT CLOSE THE DOOR PROGRAM THE LOCK FIRST**

E NO CIERRE LA PUERTA. programe la cerradura

D TÜRE NICHT SCHLIESSEN. ZUERST SCHLOSS PROGRAMMIEREN

F NE FERMEZ PAS LA PORTE. PROGRAMMEZ LA BÉQUILLE AVANT

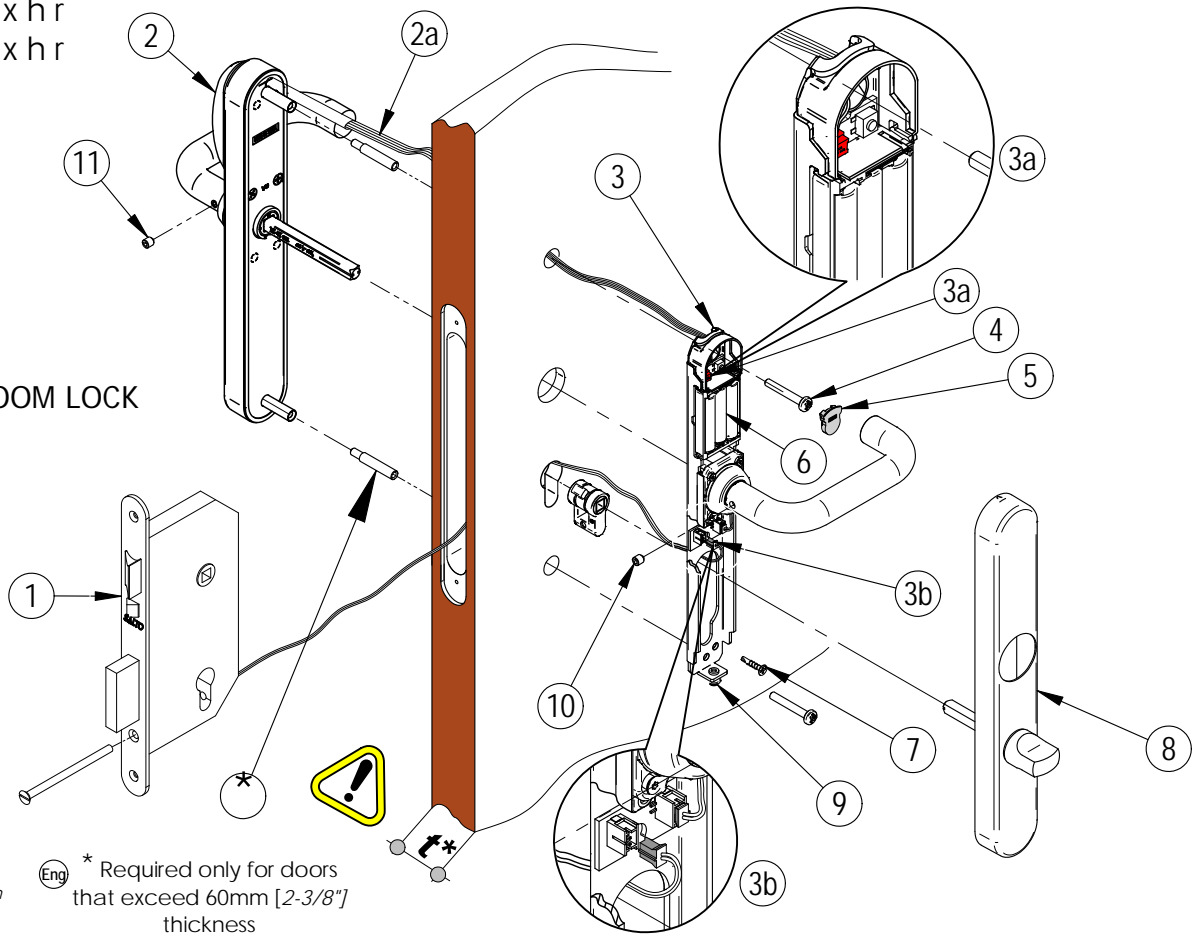
I PRIMA DI CHIUDERE LA PORTA, PROGRAMARE LA SERRATURA

Eng follow user manual

E Consulte el manual del usuario

# Installation guide Ei4xx...

Ei451 m dd ff t x h r  
Ei461 m dd ff t x h r



Eng HOTEL GUEST ROOM LOCK

E HABITACION HOTEL

D HOTELZIMMERSCHLOSS

F PIÈCE D'HÔTEL

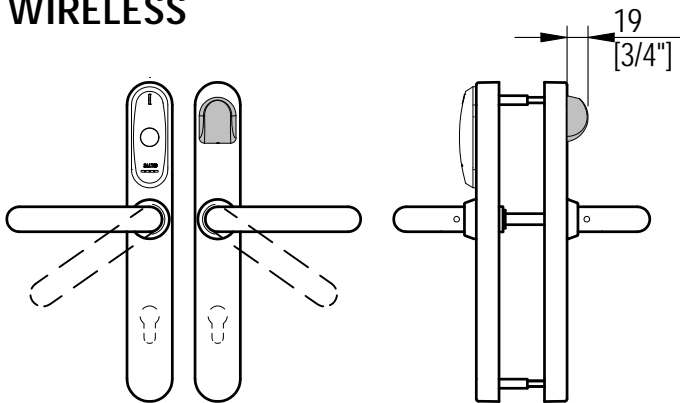
I CAMERE HOTEL

E \* Sólo para puertas de espesor mayor de 60mm [2-3/8"]

Eng \* Required only for doors that exceed 60mm [2-3/8"] thickness

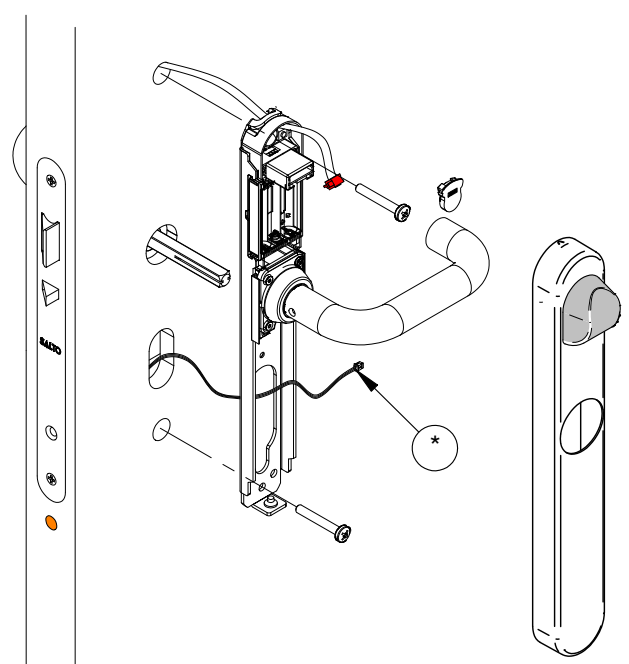
## WIRELESS

E i 4xx m 00 ff t x h W series



Eng NOTE:  
This device complies with part 15 of the FCC Rules. Operation is subject to the following two conditions: (1) This device may not cause harmful interference, and (2) this device must accept any interference received, including interference that may cause undesired operation.  
Note: This equipment has been tested and found to comply with the limits for a Class A digital device, pursuant to part 15 of the FCC Rules. These limits are designed to provide reasonable protection against harmful interference when the equipment is operated in a commercial environment. This equipment generates, uses, and can radiate radio frequency energy and, if not installed and used in accordance with the instruction manual, may cause harmful interference to radio communications. Operation of this equipment in a residential area is likely to cause harmful interference in which case the user will be required to correct the interference at his own expense.

E NOTA:  
Este aparato cumple con la norma FCC apartado 15. Esta operación está sujeta a las siguientes dos condiciones: (1) El aparato no debe de producir interferencias perjudiciales, y (2) este aparato debe procesar cualquier interferencia recibida, incluidas interferencias que puedan causar funcionamiento no deseados. Nota: Este aparato ha sido testado y cumple con los requisitos para dispositivos digitales Clase A, conforme con la parte 15 de las normas FCC. Estos requisitos están establecidos para asegurar una protección razonable contra las interferencias perjudiciales cuando el dispositivo se utiliza en ámbitos comerciales. Este dispositivo, genera, utiliza, y puede producir energía de radiofrecuencia, y si no se instala y utiliza de acuerdo a las normas establecidas en sus manuales, puede producir interferencias negativas para la comunicación por radiofrecuencia. La utilización de este dispositivo en un entorno residencial puede generar interferencias negativas por lo cual el usuario debe, el mismo adecuar su uso correcto.



Eng \* Door detector for Ei4xx...  
Wooden doors RFDCTW30W01  
Steel doors RFDCTS30W01  
E \* Detector de puerta para Ei4xx...  
Puertas de madera RFDCTW30W01  
Puertas metálicas RFDCTS30W01