

Emergency nightlatches light

8760

8760 light sprung nightlatch without lock-back

ASSA[®]

ASSA ABLOY

Application:

Locks for exit doors offering a high degree of security, but with unrestricted exit in an emergency. Ideally suited for emergency doors in hotels, factories, hospitals, schools, offices etc.

Can be included as part of a total security system, including mechanical and electrical devices. Striking plate is included. Cylinder and accessories bolt through lockcase for added strength. Key can only be removed in locked (or locked-back) position.

Bolt reversible without opening lockcase.

For finishes and dimensions see Lockcases Information appendix. For accessory configurations see Variations insert.

When ordering please specify door thickness.

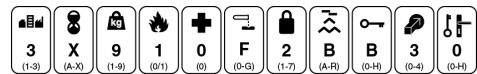
Specification:

Bolt deadlocks automatically when door is closed.

Emergency exit break dome thumbturn for non key-holders.

Light sprung for use with turn.

Available with either 50mm or 70mm backset.

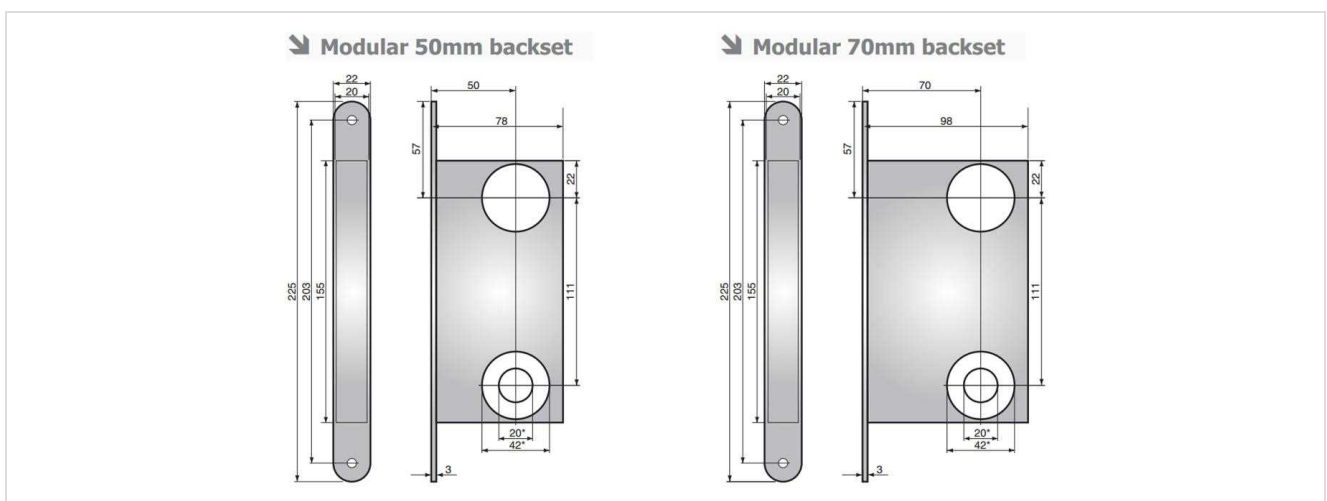


Finish:

Product has been successfully type-tested for conformity to BS EN 12209.

Regular audit testing is undertaken.

Technical Design:



Emergency nightlatches light

8760

8760 light sprung nightlatch without lock-back

ASSA[®]

ASSA ABLOY

Variants:

Code	Description
80405562313	8760 50MM LOCKSET
80405562320	8760 50MM LOCKSET
80405862313	8760 70MM LOCKSET