

Deadlocks

2788

2788 deadlock

ASSA[®]

ASSA ABLOY

Application:

Locks for entrance doors, corridor and other swing doors with door pulls and push plates. Also as a secondary lock on any door.

Available with single cylinder and thumbturn, or alternatively with double cylinders or single cylinder only.

Supplied as standard with striking plate. Cylinder and accessories bolt through lockcase for added strength.

Key can be removed in locked or unlocked position.

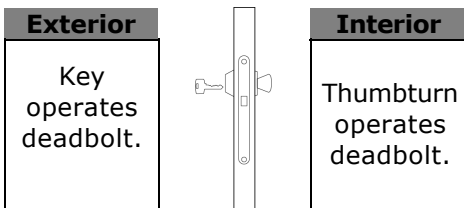
For finishes and dimensions see Lockcases Information appendix.

When ordering please specify door thickness.

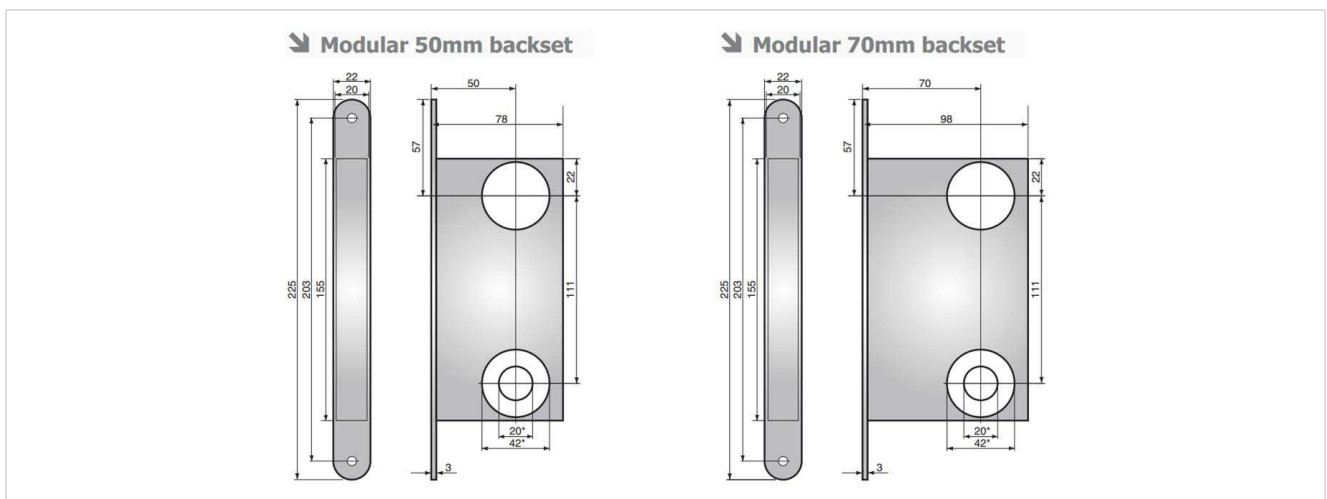


Specification:

Hardened steel deadbolt thrown 21mm by 90° turn of key or thumbturn. Available with either 50mm or 70mm backset.



Technical Design:



Deadlocks

2788

2788 deadlock

Variants:

Code	Description
46911462713	2788 50MM LOCKSET
46911462720	2788 50MM LOCKSET
46911434713	2788 50MM LOCKSET + MICRO MD-M5
80312862713	2788 70MM LOCKSET
80312862720	2788 70MM LOCKSET
80312864713	2788 70MM LOCKSET M/SWITCH MD M5
46911210720	2788 FACEPLATE
46946410813	2788 FACEPLATE ASA