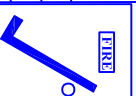


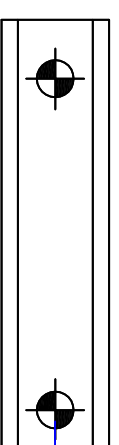
03.06.15



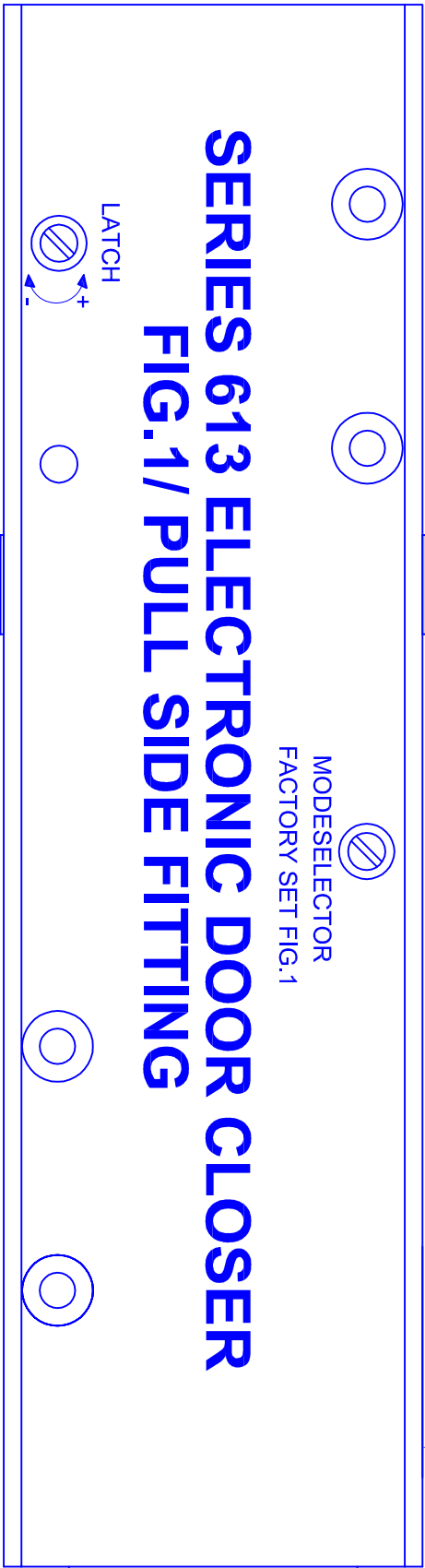
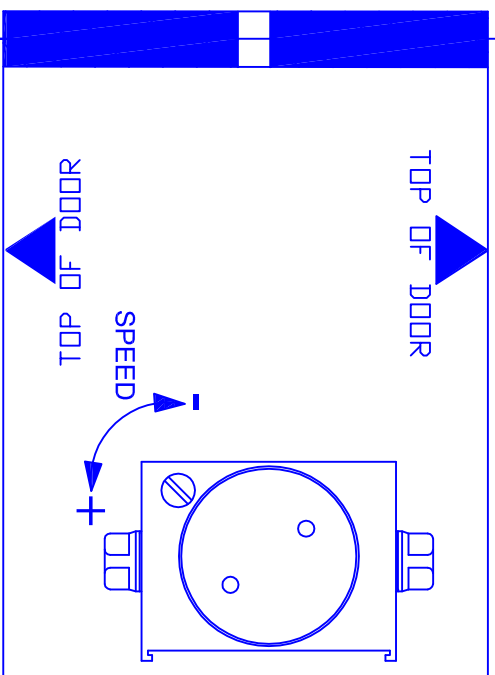
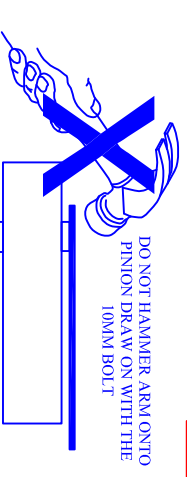
ARROW ARCHITECTURAL		15
Tything Road Alcester B496ES		
1121-CPR-AE0006	EN1154:1996 + A1:2002/AC:2006	EN1155:1997 + A1:2002/AC:2006
4831113	4831113	4831113



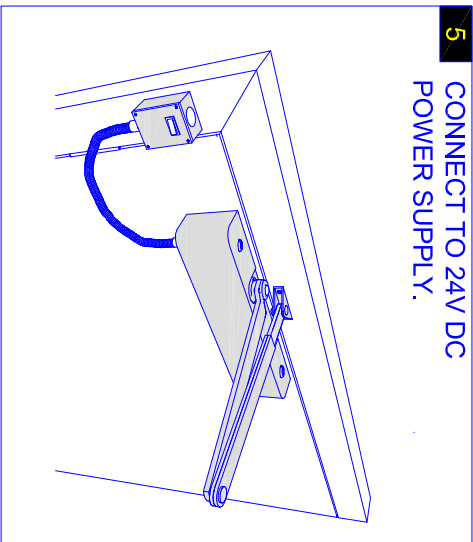
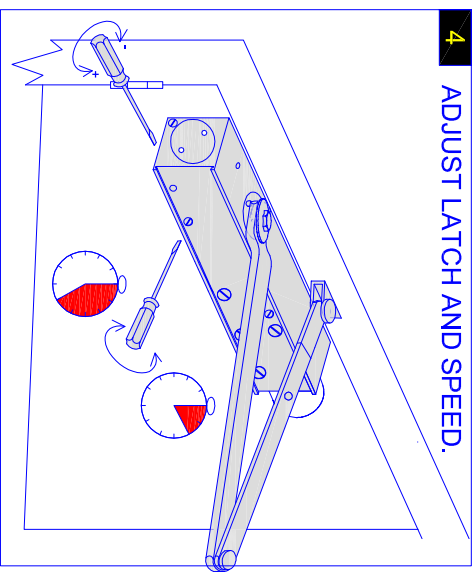
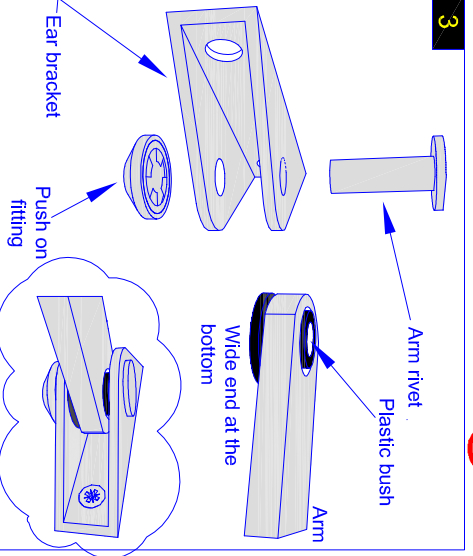
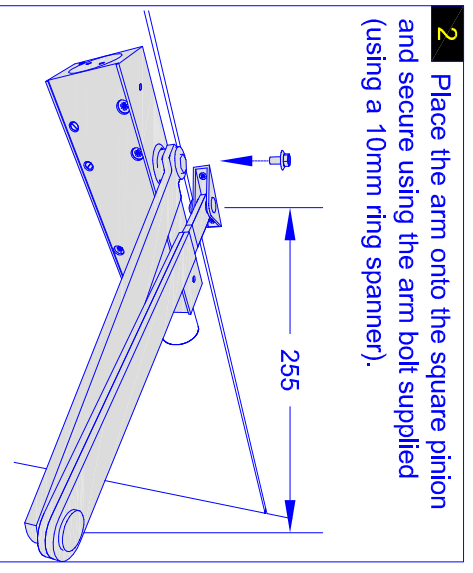
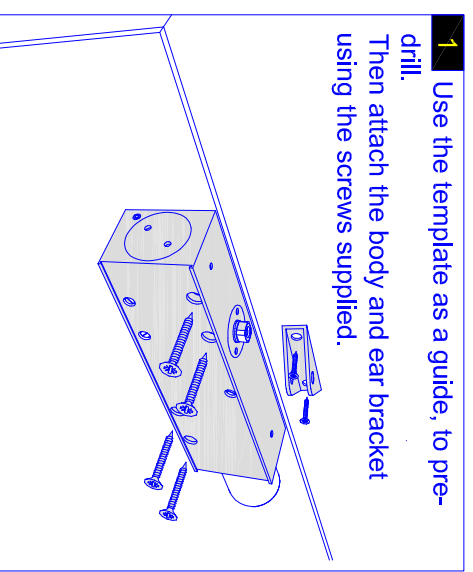
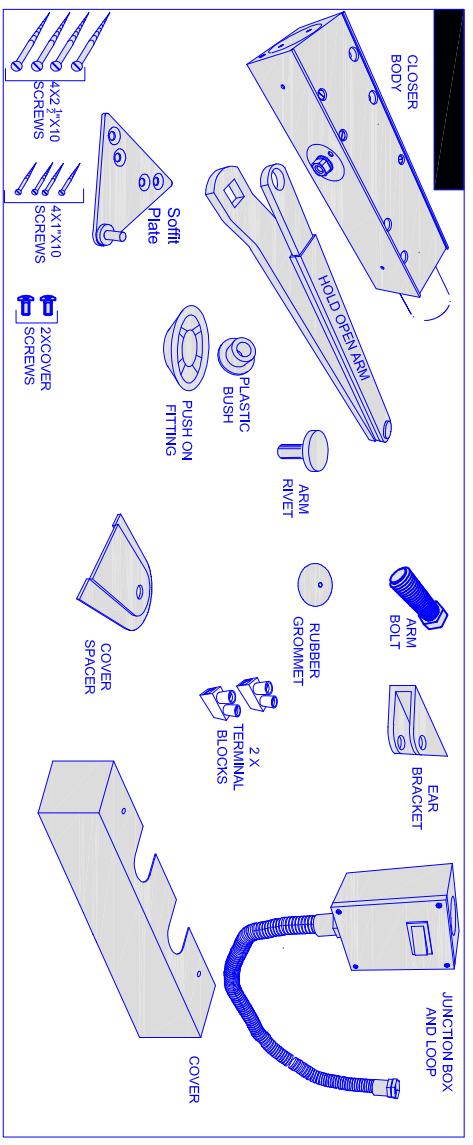
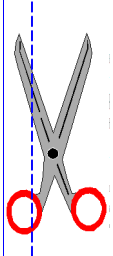
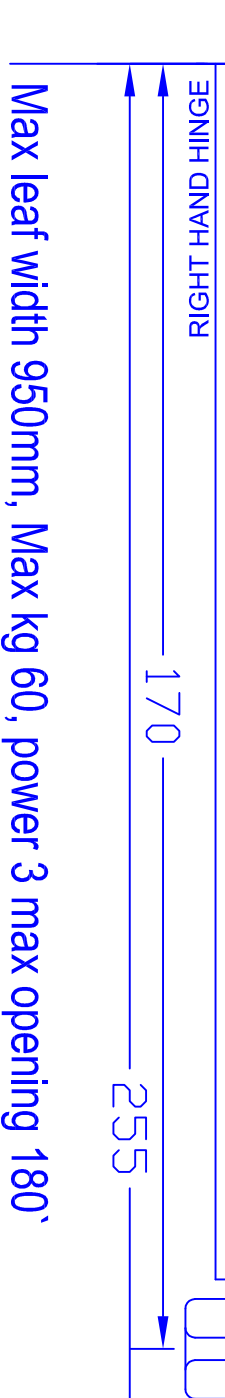
THE CLOSER AND EAR BRACKET MUST BE LEVEL(USE A SPIRIT LEVEL) TO ENSURE THEY RUN PARALLEL.



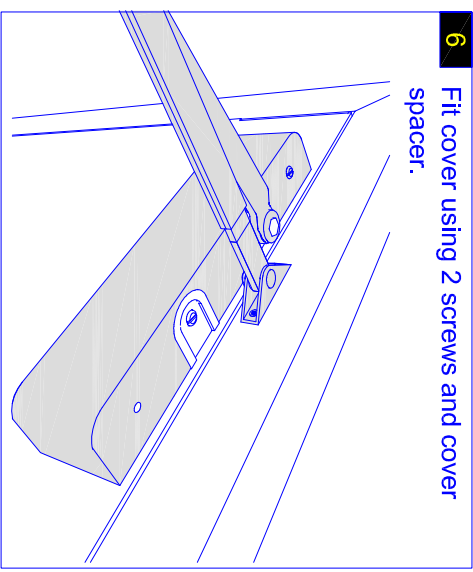
25



SERIES 613 ELECTRONIC DOOR CLOSER FIG.1/ PULL SIDE FITTING



- POWER REQUIRED: 24V DC 2 WATTS 0.085AMPS**
- WIRING INSTRUCTIONS**
1. Screw the junction box onto the door frame at approximately the same height as the closer body.
 2. Holding the cover, carefully thread the 2 red wires through the hole nearest to the door hinge and secure the armoured loop with the nut supplied.
 3. Attach the 2 red wires from the junction box (the wires you have just put through the cover) to the 2 red wires coming out of the coil at the rear end of the closer body. (polarity is not important)
 4. Connect your 24v dc supply to the switched junction box.
 5. Switch the supply on and test(note:- make sure the switch on the junction box is in the on position before testing.)



MAINTENANCE

Periodically apply light oil to the arm knuckle joint and check all screws and the pinion bolt are tight.
D.O.P download available at www.arrow-architectural.com

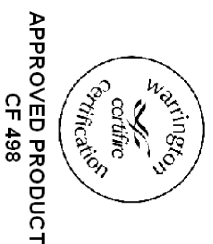
03.06.15



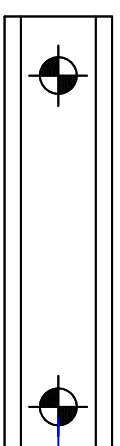
ARROW ARCHITECTURAL
Tything Road
Alcester
B496ES

15

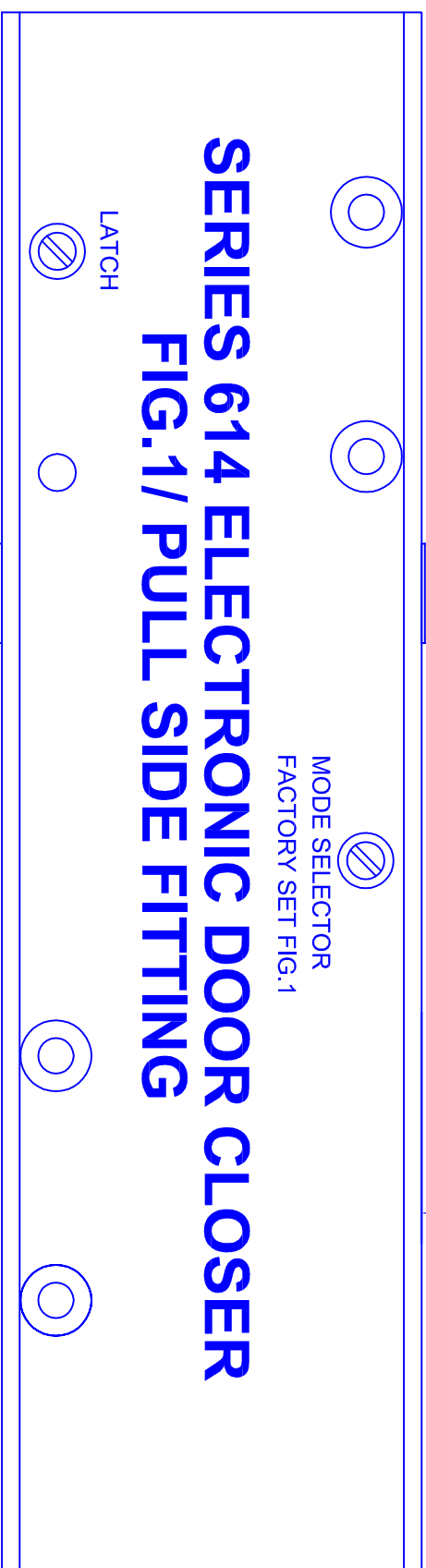
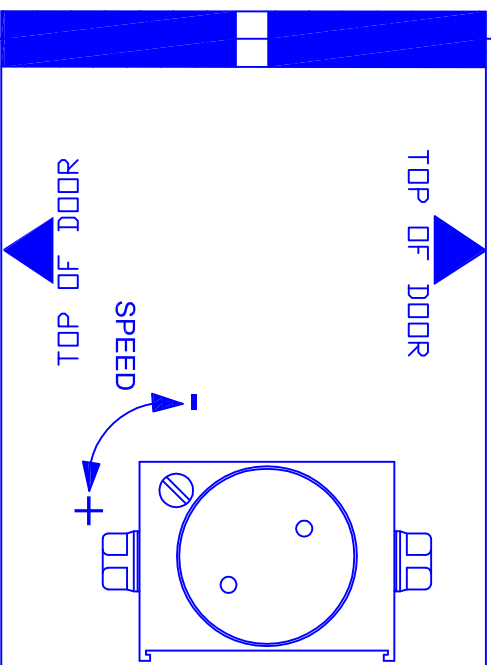
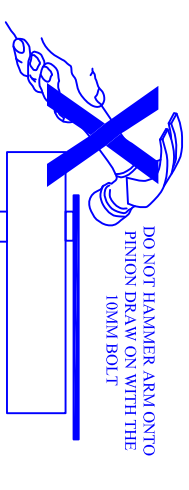
1121-CPR-AE0006	EN1154:1996 + A1:2002/AC:2006
3841113	EN1156:1997 + A1:2002/AC:2006
3841113	



THE CLOSER AND EAR BRACKET
MUST BE LEVEL
(USE A SPIRIT LEVEL)
TO ENSURE THEY RUN PARALLEL.



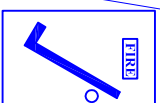
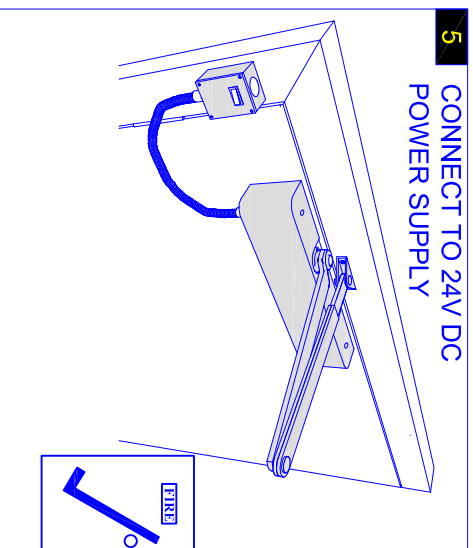
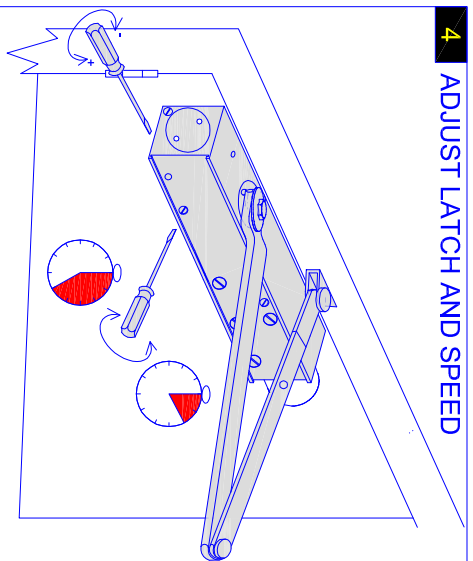
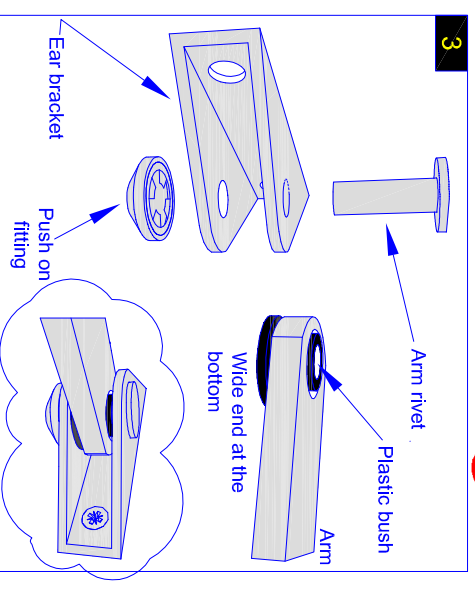
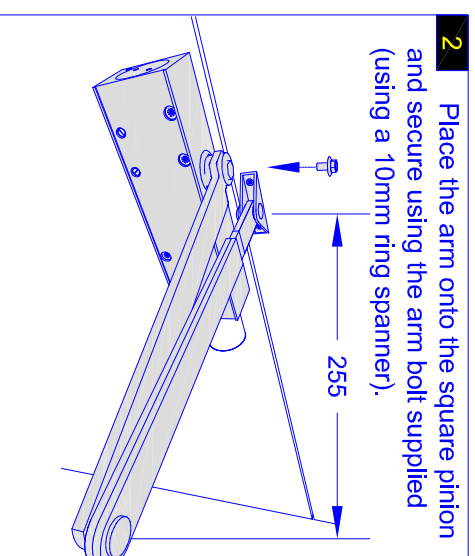
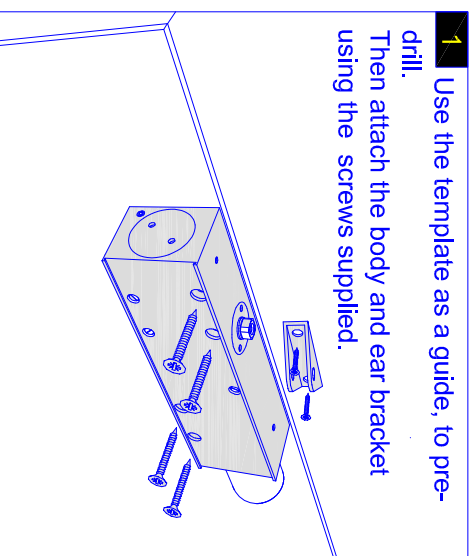
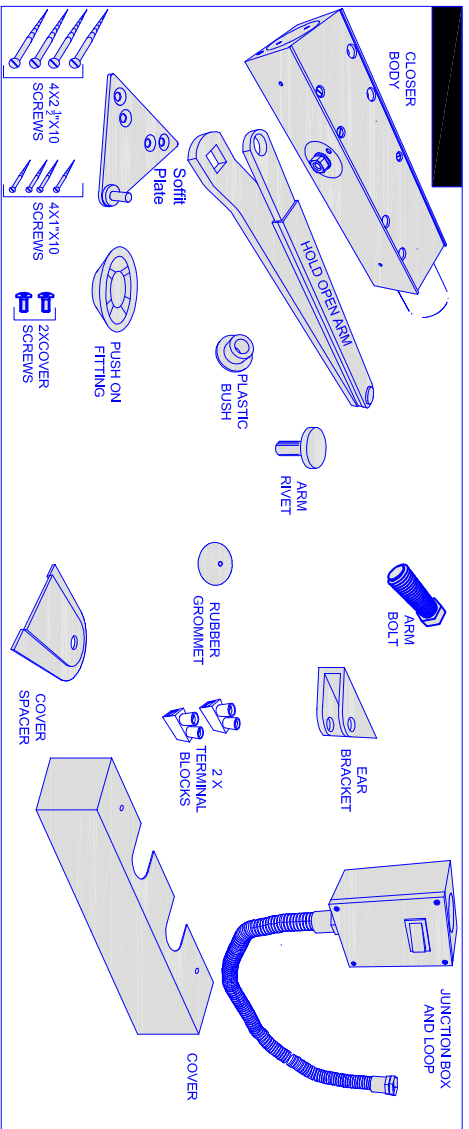
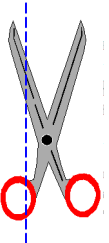
25



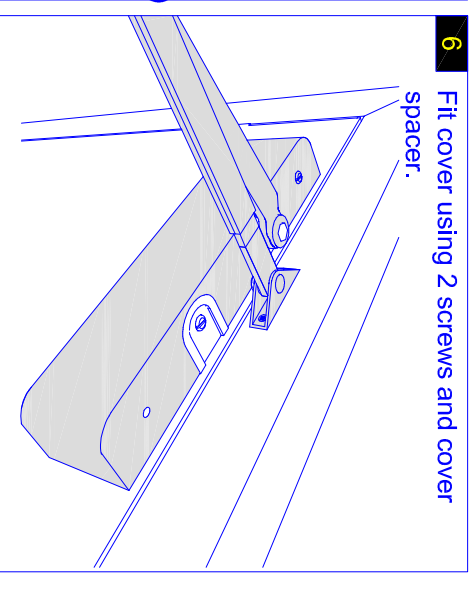
SERIES 614 ELECTRONIC DOOR CLOSER FIG.1/ PULL SIDE FITTING

ENGIN DNVH THIGH 205 255

Max leaf width 1100mm, Max kg 80, power 4 max opening 110'



- POWER REQUIRED: 24V DC 2 WATTS 0.085AMPS**
- WIRING INSTRUCTIONS**
1. Screw the junction box onto the door frame at approximately the same height as the closer body.
 2. Holding the cover, carefully thread the 2 red wires through the hole nearest to the door hinge and secure the armoured loop with the nut supplied.
 3. Attach the 2 red wires from the junction box (the wires you have just put through the cover) to the 2 red wires coming out of the coil at the rear end of the closer body. (polarity is not important)
 4. Connect your 24v dc supply to the switched junction box.
 5. Switch the supply on and test(note:- make sure the switch on the junction box is in the on position before testing.)



MAINTENANCE

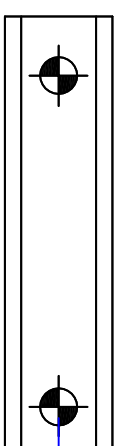
Periodically apply light oil to the arm knuckle joint and check all screws and the pinion bolt are tight.
D.O.P download available at www.arrow-architectural.com

03.06.15

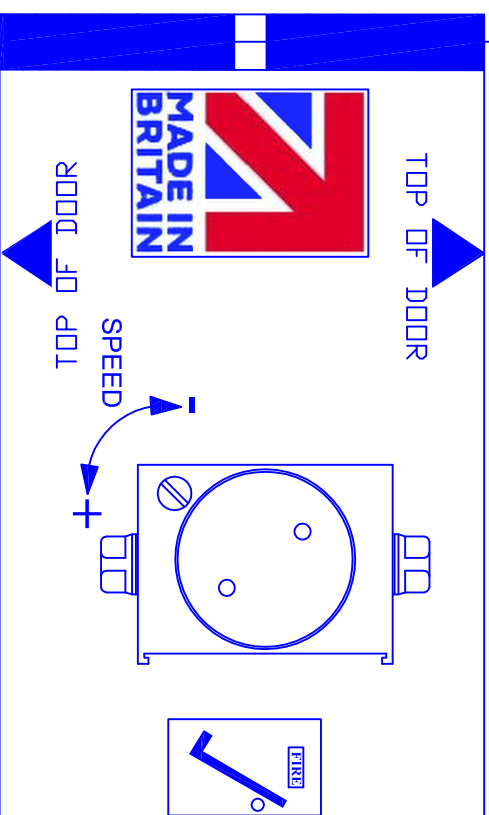
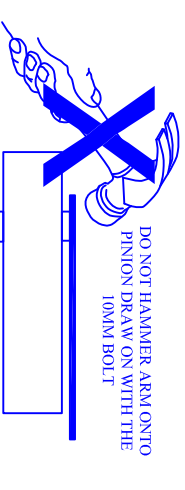


ARROW ARCHITECTURAL		Tything Road Alcester B496ES		15
1121-OPR-AE007	EN1154:1996 + A1:2002/AC:2006	3851113	EN1154:1996 + A1:2002/AC:2006	
	EN1155:1997 + A1:2002/AC:2006	3851113	EN1155:1997 + A1:2002/AC:2006	

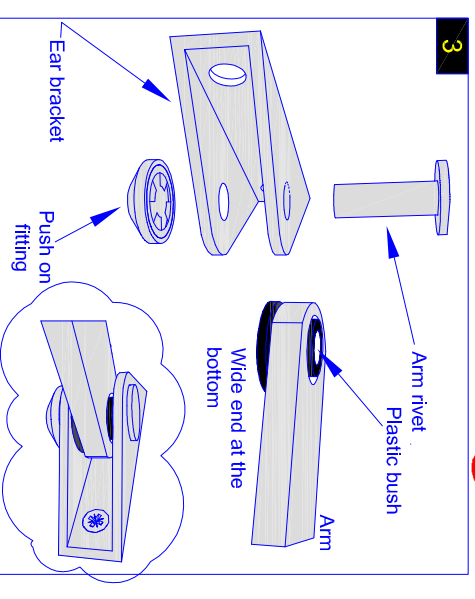
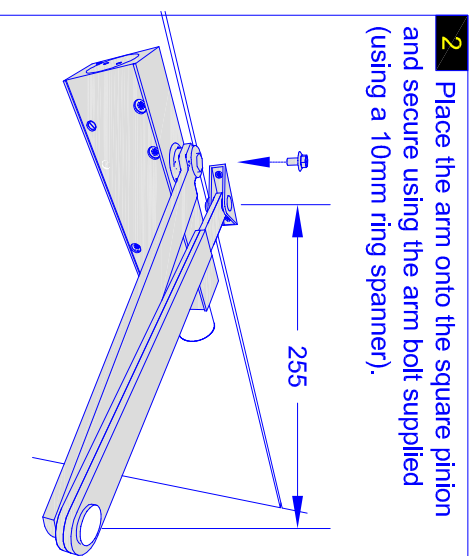
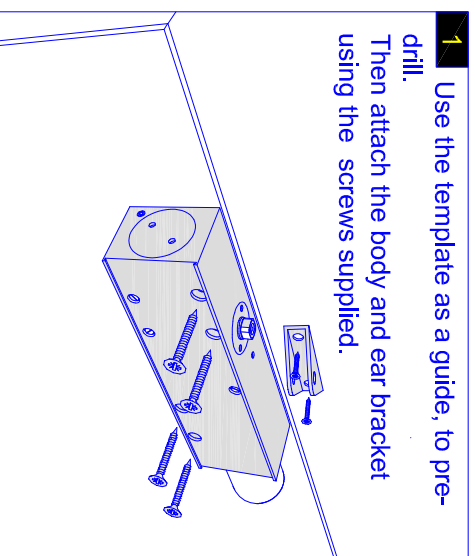
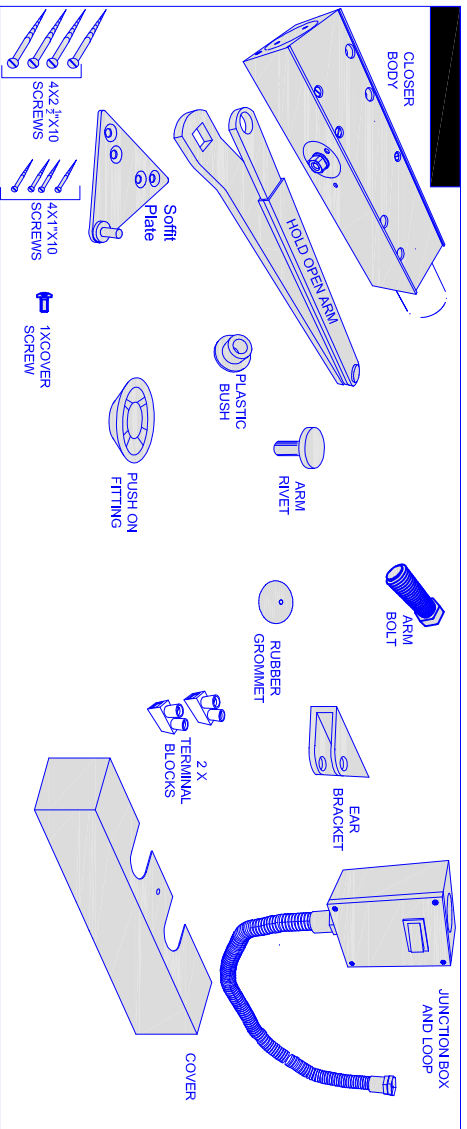
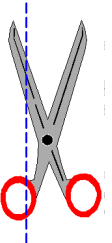
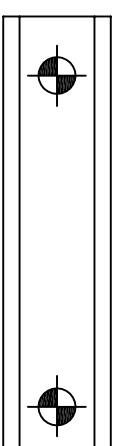
THE CLOSER AND EAR BRACKET MUST BE LEVEL(USE A SPIRIT LEVEL) TO ENSURE THEY RUN PARALLEL.



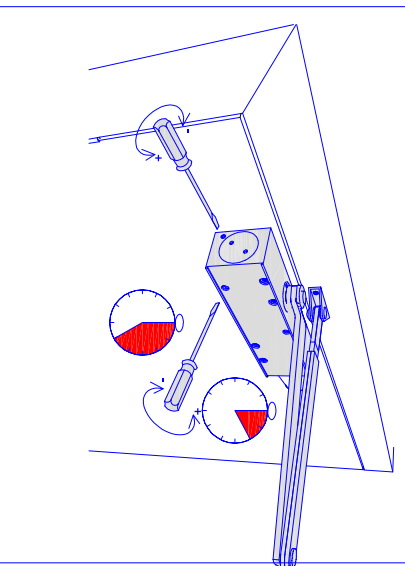
25



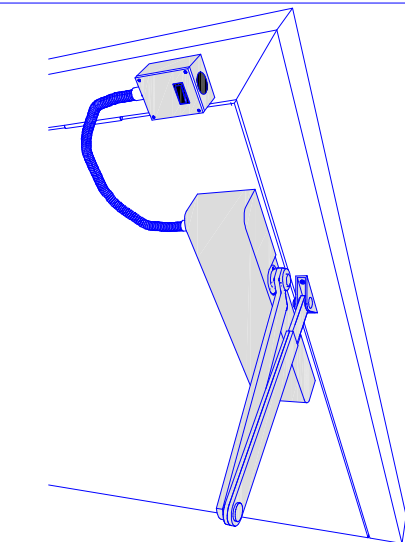
Max leaf width 1250mm, Max kg 100, power 5 max opening 110'



4 ADJUST LATCH AND SPEED.

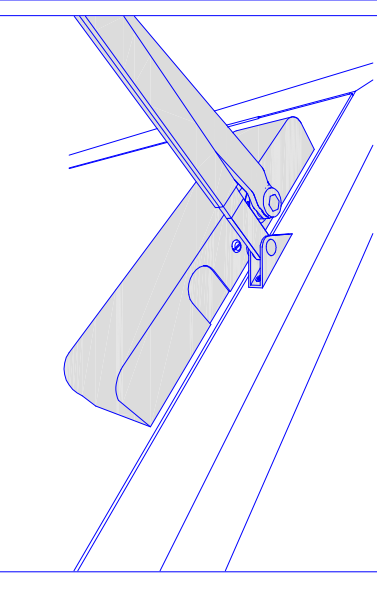


5 CONNECT TO 24V DC POWER SUPPLY.



POWER REQUIRED: 24V DC 2 WATTS 0.085AMPS

6 Fit cover using 1 screw



- WIRING INSTRUCTIONS**
1. Screw the junction box onto the door frame at approximately the same height as the closer body.
 2. Holding the cover, carefully thread the 2 red wires through the hole nearest to the door hinge and secure the armoured loop with the nut supplied.
 3. Attach the 2 red wires from the junction box (the wires you have just put through the cover) to the 2 red wires coming out of the coil at the rear end of the closer body. (polarity is not important)
 4. Connect your 24v dc supply to the switched junction box.
 5. Switch the supply on and test(note:- make sure the switch on the junction box is in the on position before testing.)

MAINTENANCE

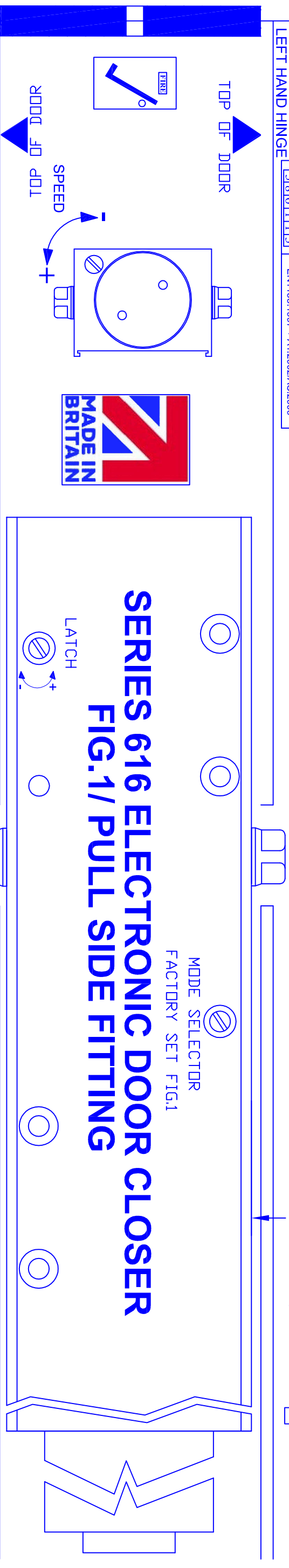
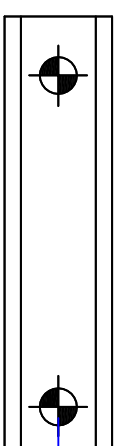
Periodically apply light oil to the arm knuckle joint and check all screws and the pinion bolt are tight. D.O.P download available at www.arrow-architectural.com

03.06.15

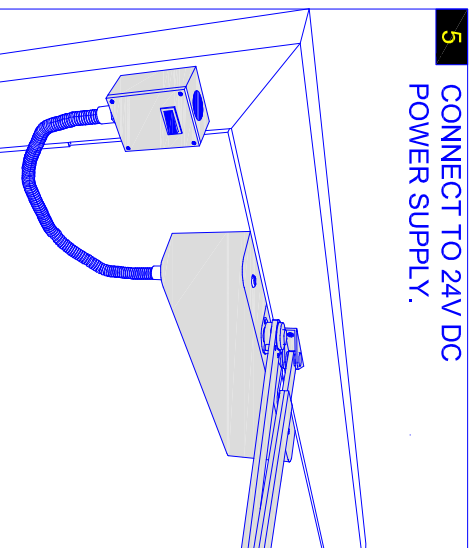
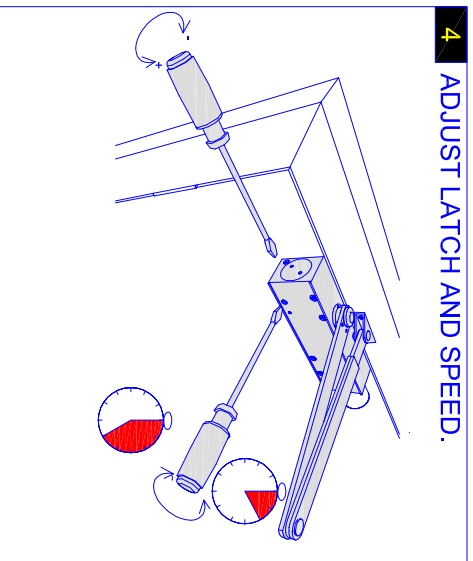
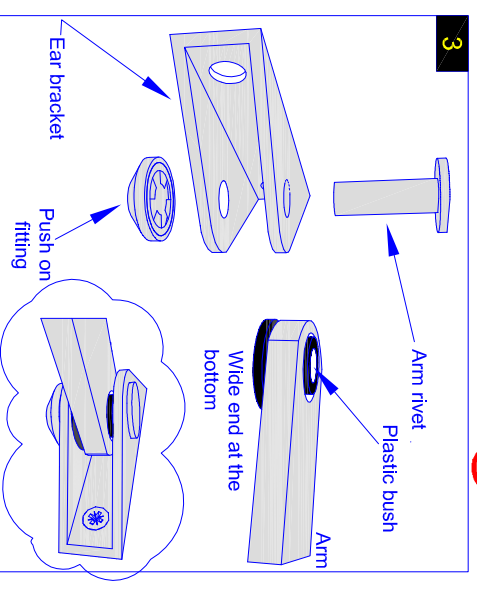
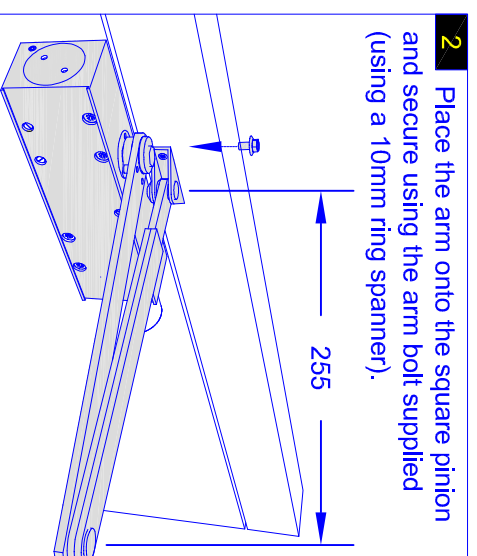
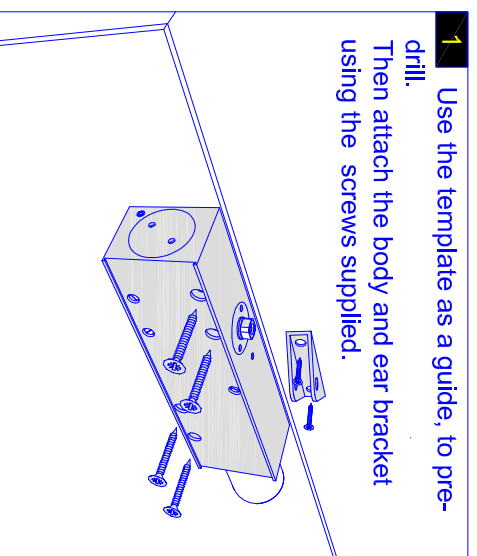
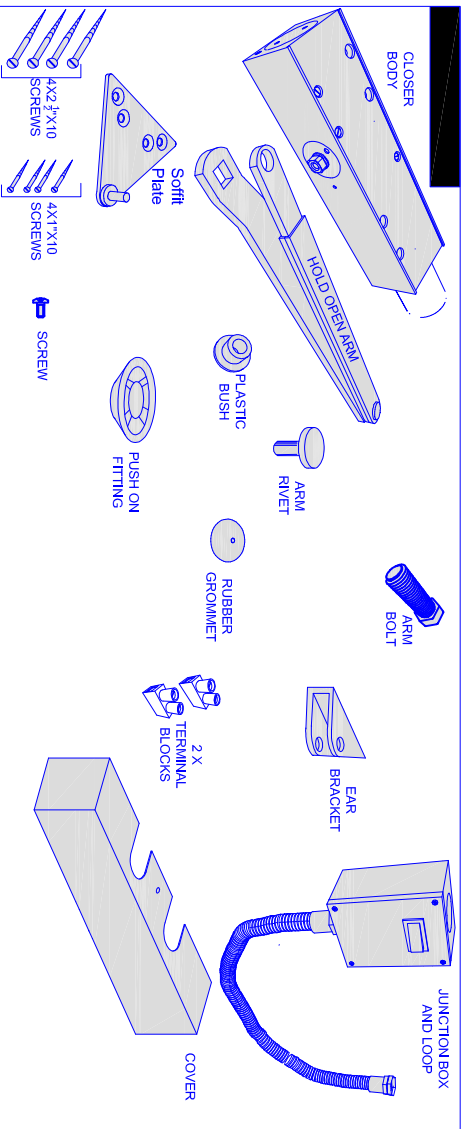
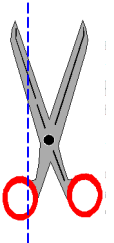


ARROW ARCHITECTURAL	
Tything Road	
Alcester	
B496ES	
15	
1121-CPR-AE5007	EN1154:1996 + A1:2002
3861113	EN1155:1997 + A1:2002/AC:2006
3861113	

THE CLOSER AND EAR BRACKET MUST BE LEVEL(USE A SPIRIT LEVEL) TO ENSURE THEY RUN PARALLEL.



205 255
Max leaf width 1400mm, Max kg 120, power 6 max opening 110'



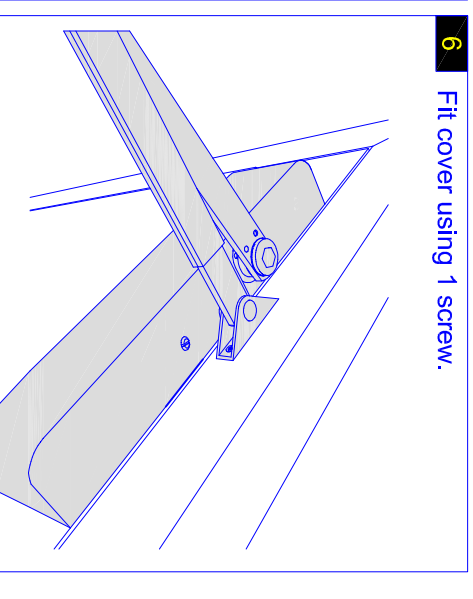
4 ADJUST LATCH AND SPEED.

5 CONNECT TO 24V DC POWER SUPPLY.

POWER REQUIRED:-24V DC-2 WATTS-0.085AMPS

WIRING INSTRUCTIONS

1. Screw the junction box onto the door frame at approximately the same height as the closer body.
2. Holding the cover, carefully thread the 2 red wires through the hole nearest to the door hinge and secure the armoured loop with the nut supplied.
3. Attach the 2 red wires from the junction box (the wires you have just put through the cover) to the 2 red wires coming out of the coil at the rear end of the closer body. (polarity is not important)
4. Connect your 24v dc supply to the switched junction box.
5. Switch the supply on and test(note:- make sure the switch on the junction box is in the on position before testing.)



MAINTENANCE

Periodically apply light oil to the arm knuckle joint and check all screws and the pinion bolt are tight. D.O.P download available at www.arrow-architectural.com

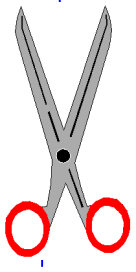
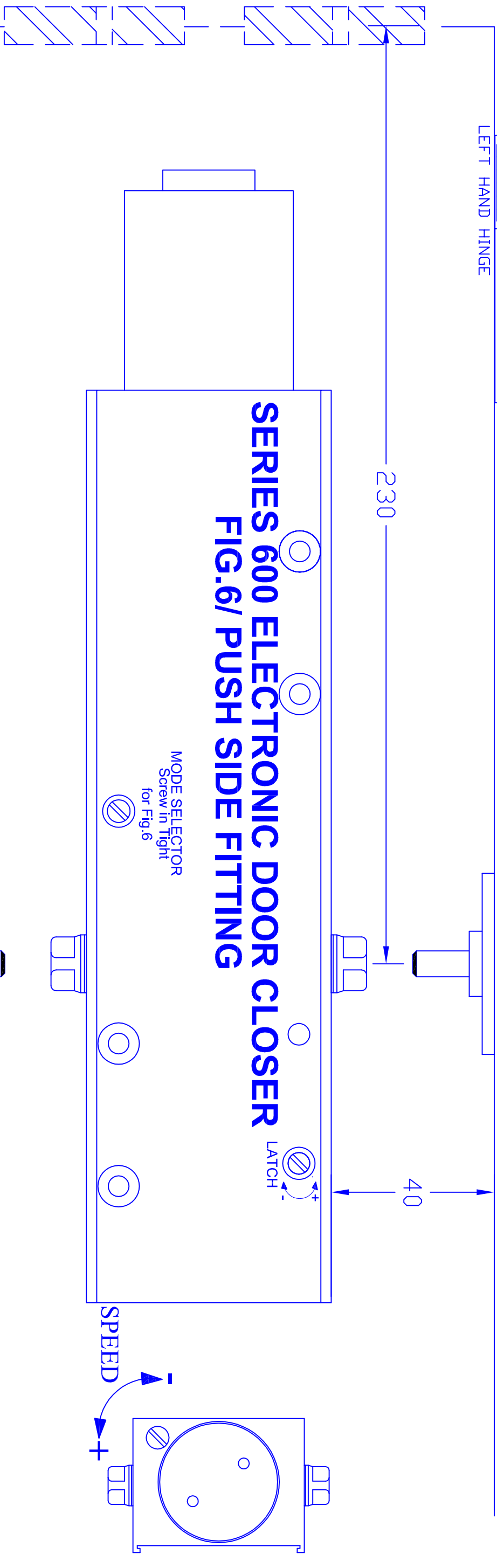
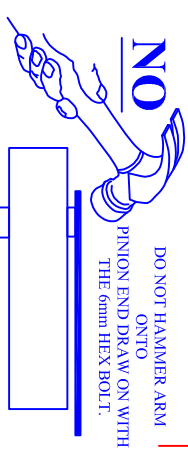
CE		ARROW ARCHITECTURAL Tything Road Alcester B496ES	15
1121-OPRAE0006	EN1154:1996 + A1:2002/AC:2006	EN1155:1997 + A1:2002/AC:2006	
3831113	3831113	3831113	



APPROVED PRODUCT
CF 498

THE CLOSER AND SOFFIT PLATE MUST BE LEVEL (USE A SPIRIT LEVEL)
TO ENSURE THEY RUN PARALLEL.

Max leaf width 950mm, Max kg 60, power 3, Max opening 170°



1

1. Use the template as a guide, drill pilot holes and screw the body to the door with the 2 1/2" wood screws supplied.

2

2. Use the template as a guide, drill pilot holes and screw the soffit plate to the under side of the door frame (as shown in the diagram) with the 1" wood screws supplied. The soffit plate must be against the door face.

3

3. Secure the closer arm to the closer body using the arm bolt (rotate the pinion using a 12mm spanner as shown in drawing 4) (use a 10mm ring spanner to ensure this is tight). Then connect the arm to the soffit plate. Insert the plastic bush into the arm, place the arm onto the soffit plate then press the push on fitting firmly onto the soffit plate rivet.

4

4. When fitted in parallel mode your mode selector screw should be screwed in tight.

5

5. When fitted in parallel mode your mode selector screw should be screwed in tight.

For all other instructions follow 4/5 and 6 over leaf.



ARROW ARCHITECTURAL
Tything Road
Alcester
B496ES
15

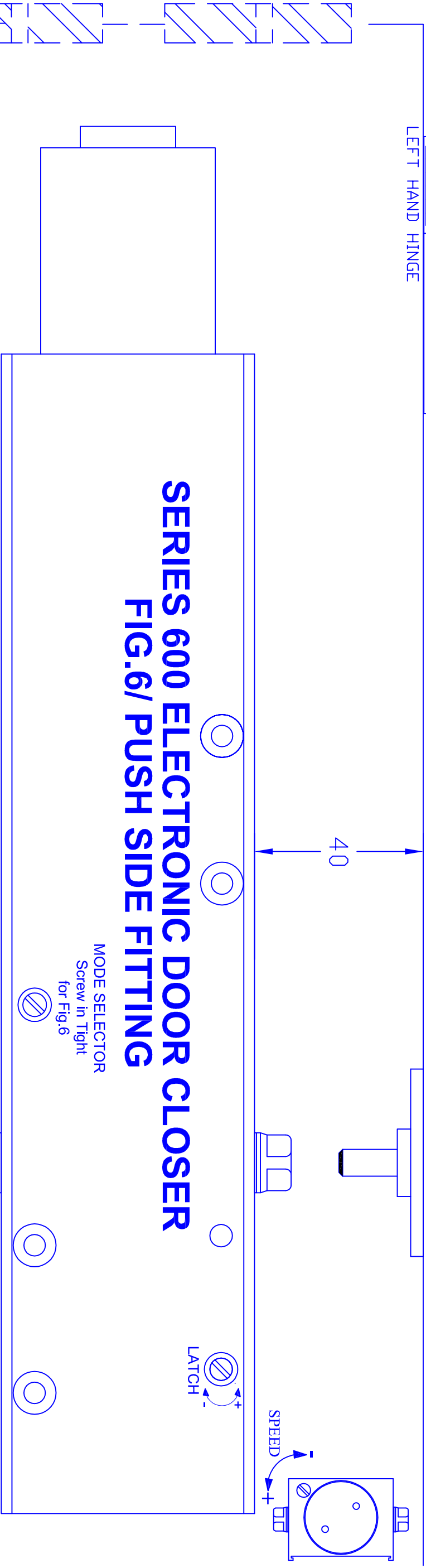
1121-OPR-AE5007	EN1154:1996 + A1:2002/AC:2006
3841113	EN1155:1997 + A1:2002/AC:2006
3841113	

THE CLOSER AND SOFFIT PLATE MUST BE LEVEL (USE A SPIRIT LEVEL) TO ENSURE THEY RUN PARALLEL.

Max leaf width 1100mm, Max kg80, power 4, Max opening 110°

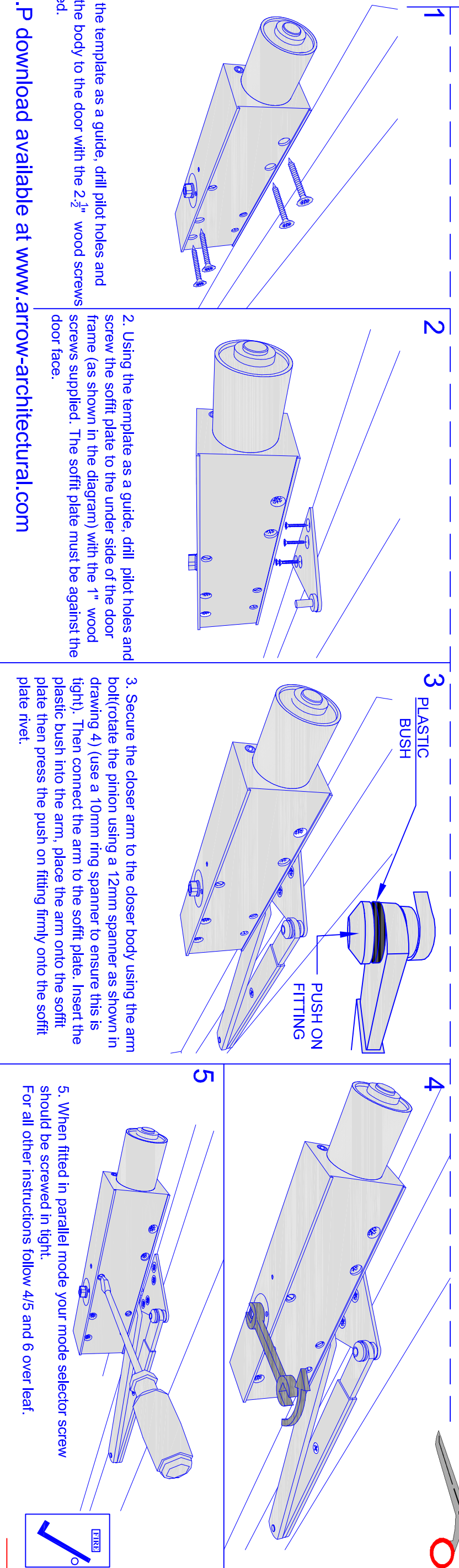
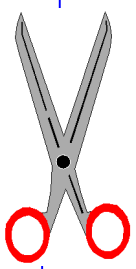
LEFT HAND HINGE

RIGHT HAND HINGE



SERIES 600 ELECTRONIC DOOR CLOSER FIG.6/ PUSH SIDE FITTING

MODE SELECTOR
Screw in Tight
for Fig.6



1. Use the template as a guide, drill pilot holes and screw the body to the door with the 2 1/2" wood screws supplied.

2. Using the template as a guide, drill pilot holes and screw the soffit plate to the under side of the door frame (as shown in the diagram) with the 1" wood screws supplied. The soffit plate must be against the door face.

3. Secure the closer arm to the closer body using the arm bolt (rotate the pinion using a 12mm spanner as shown in drawing 4) (use a 10mm ring spanner to ensure this is tight). Then connect the arm to the soffit plate. Insert the plastic bush into the arm, place the arm onto the soffit plate then press the push on fitting firmly onto the soffit plate rivet.

5. When fitted in parallel mode your mode selector screw should be screwed in tight.
For all other instructions follow 4/5 and 6 over leaf.

