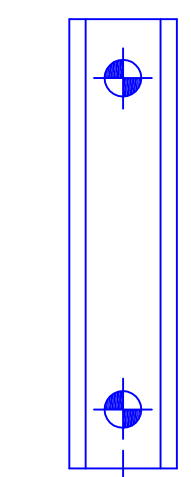


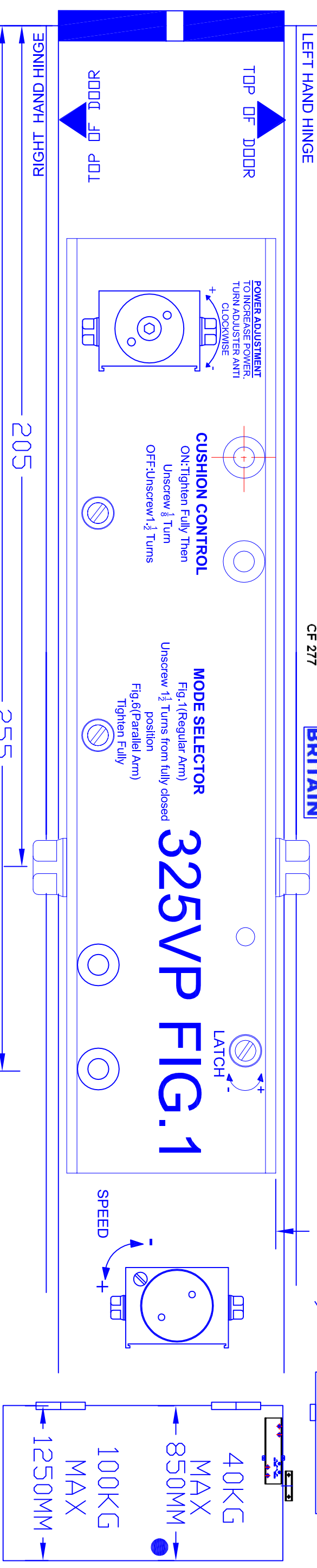
ARROW ARCHITECTURAL
 Tything Road
 Alcester
 B496ES 15
 1121-CPR-AD00086 EN1154:1996/A1:2002/A/C:2006
 3 8 3 1 1 1 3

Approved Product
 CF 277

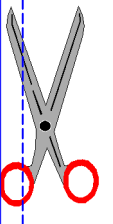
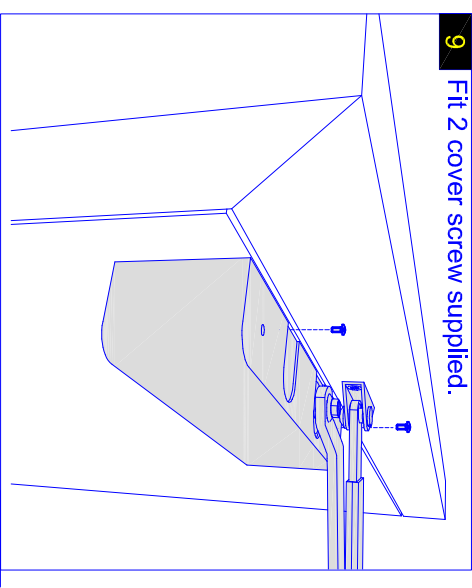
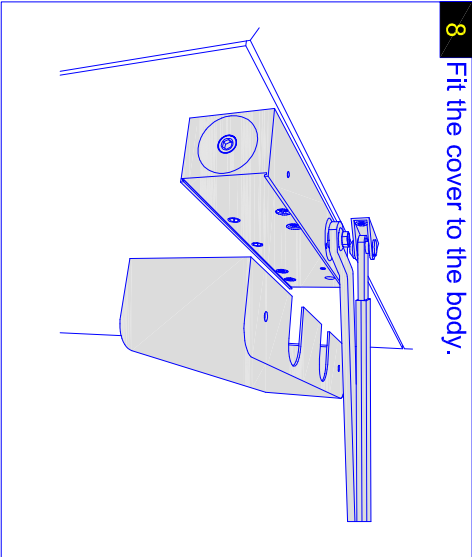
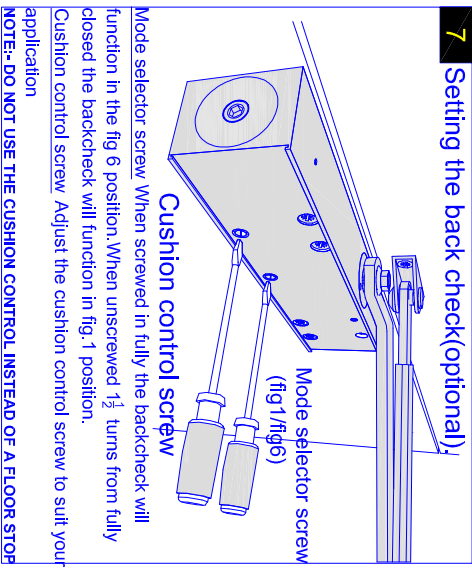
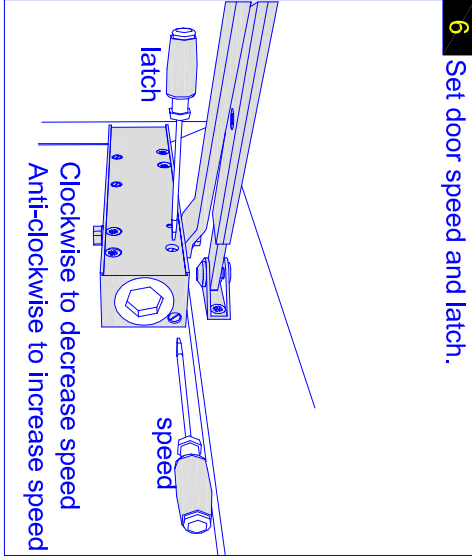
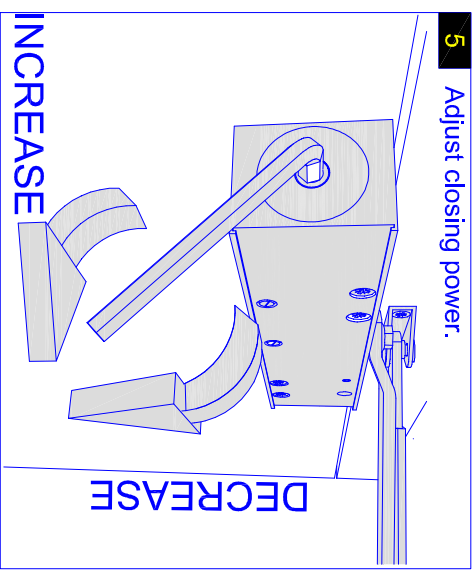
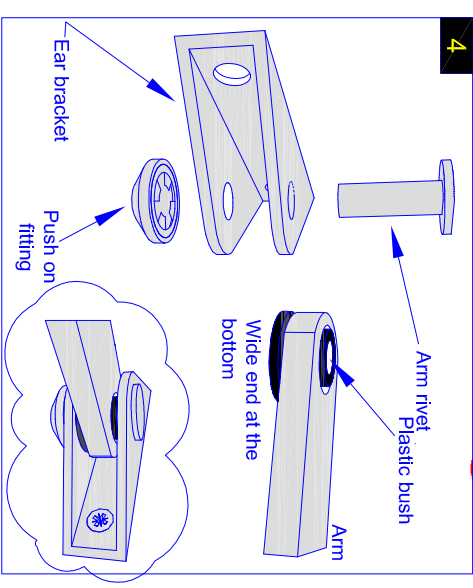
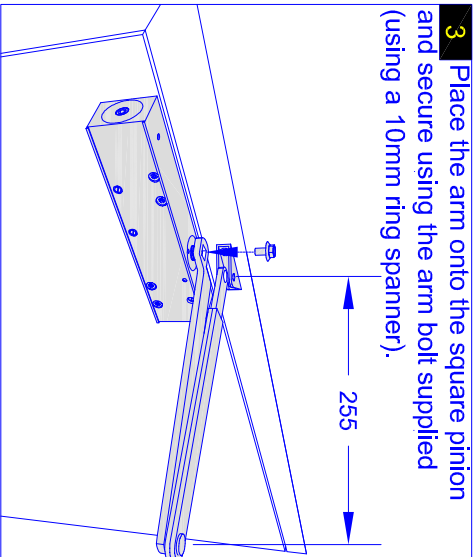
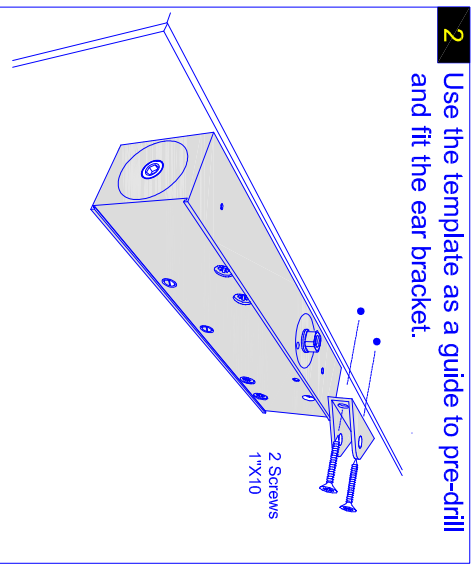
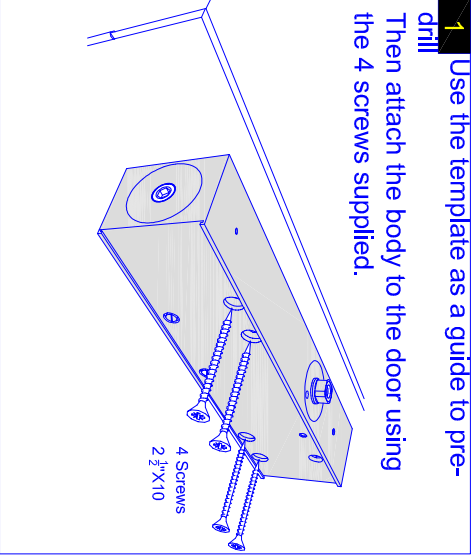
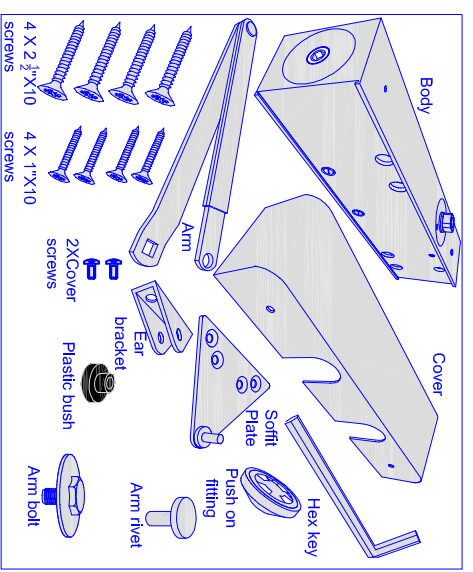
MADE IN BRITAIN



DO NOT HAMMER ARM ONTO PINION END DRAW ON WITH THE 6mm HEX SCREW.

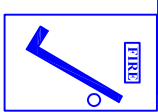


THE CLOSER AND EAR BRACKET MUST BE LEVEL (USE A SPIRIT LEVEL) TO ENSURE THEY RUN PARALLEL. MAX OPENING 167'



MAINTENANCE

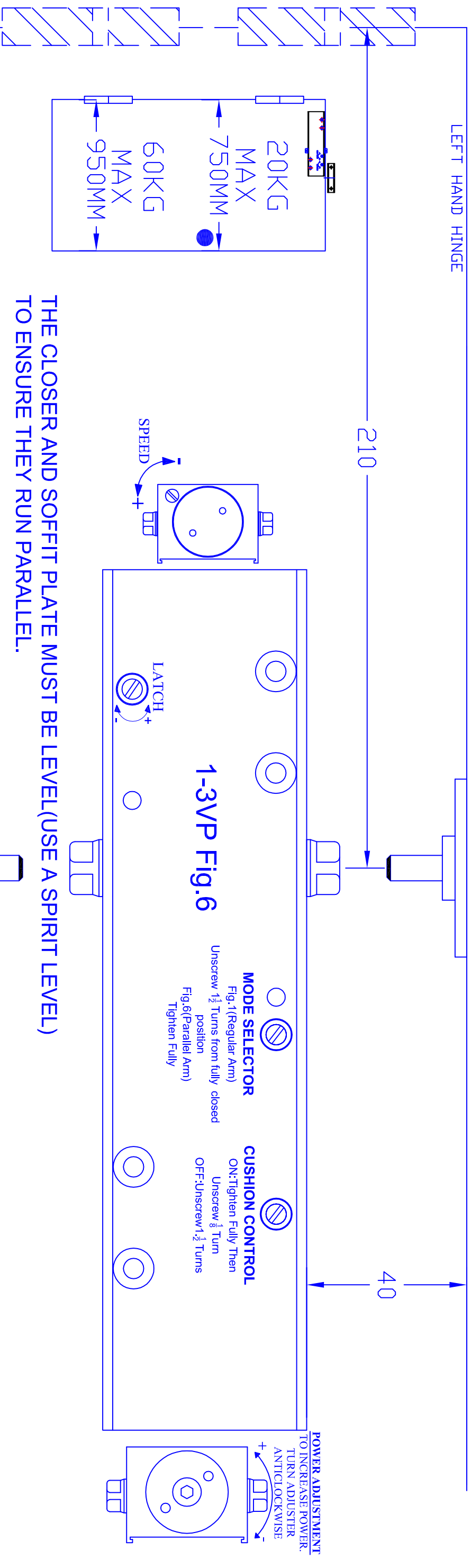
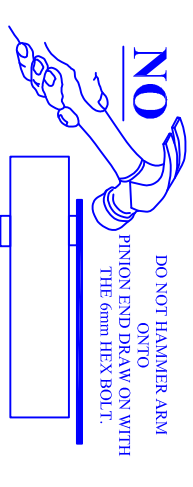
Periodically apply light oil to the arm knuckle joint and check all screws and the pinion bolt are tight.
 D.O.P download available at www.arrow-architectural.com



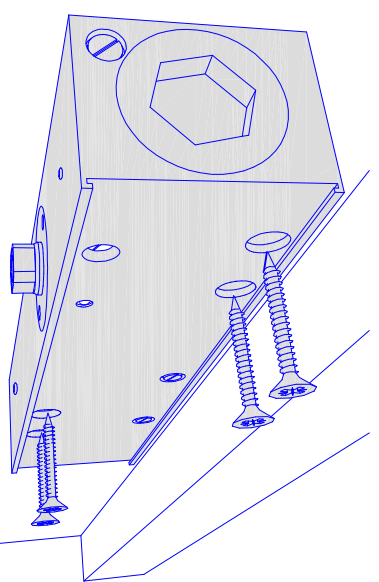
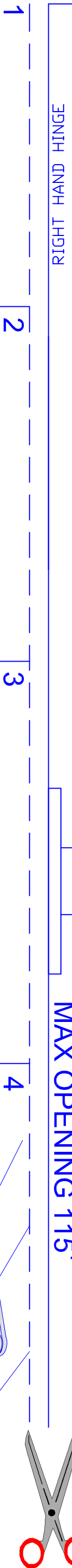
ARROW ARCHITECTURAL
 Tything Road
 Alcester
 B496ES
 15
 1121-CPR- ADD0086 EN154:1996/A1:2002/AC:2006
 3811113



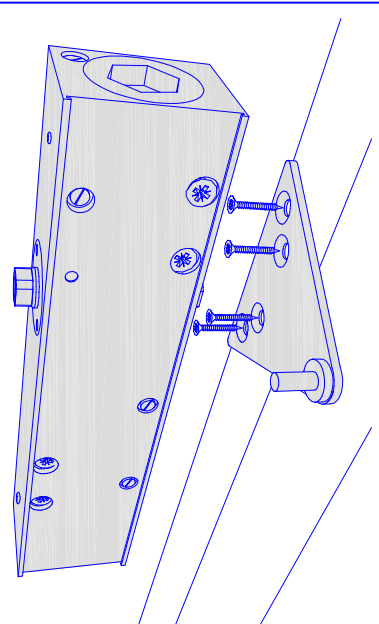
APPROVED PRODUCT
 CF 277



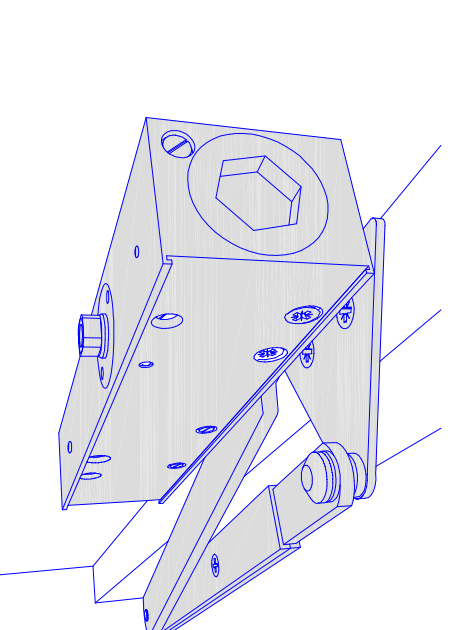
THE CLOSER AND SOFFIT PLATE MUST BE LEVEL(USE A SPIRIT LEVEL) TO ENSURE THEY RUN PARALLEL.



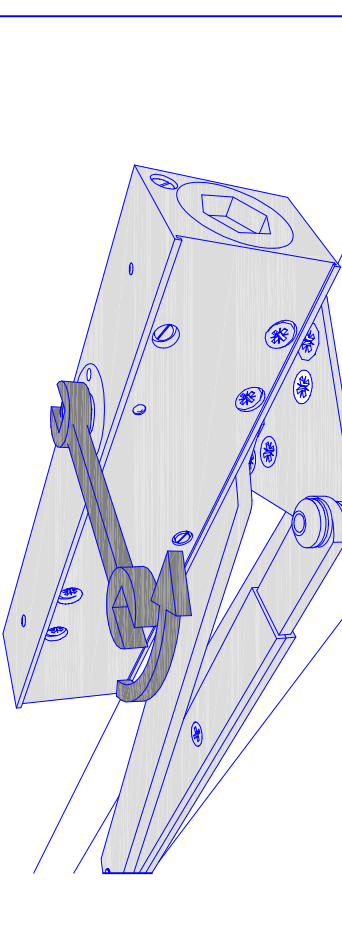
1. Use the template as a guide, drill pilot holes and screw the body to the door with the 2-1/2" wood screws supplied.



2. Use the template as a guide, drill pilot holes and screw the soffit plate to the under side of the door frame (as shown in the diagram) with the 1" wood screws supplied. The soffit plate must be against the door face.



3. Secure the closer arm to the closer body using the arm bolt(rotate the pinion using a 12mm spanner as shown in drawing 4) (use a 10mm ring spanner to ensure this is tight). Then connect the arm to the soffit plate. Insert the plastic bush into the arm, place the arm onto the soffit plate then press the push on fitting firmly onto the soffit plate rivet.



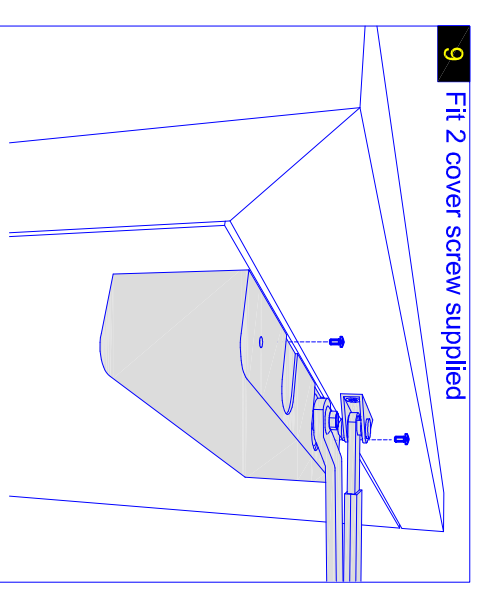
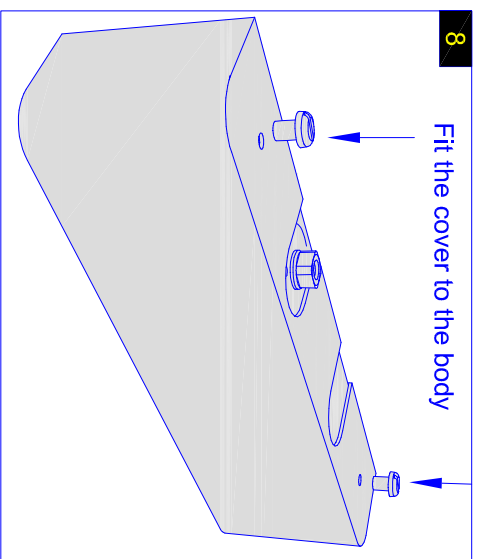
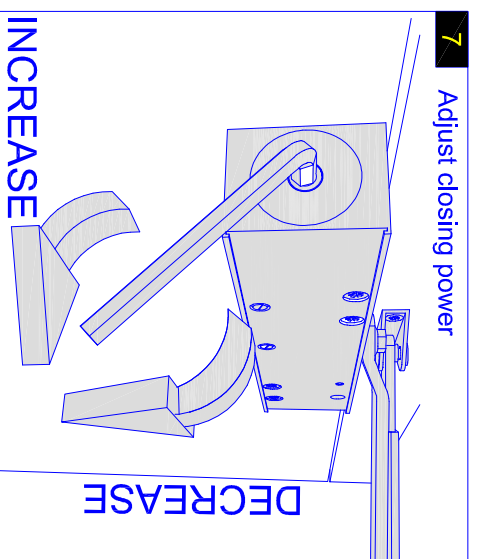
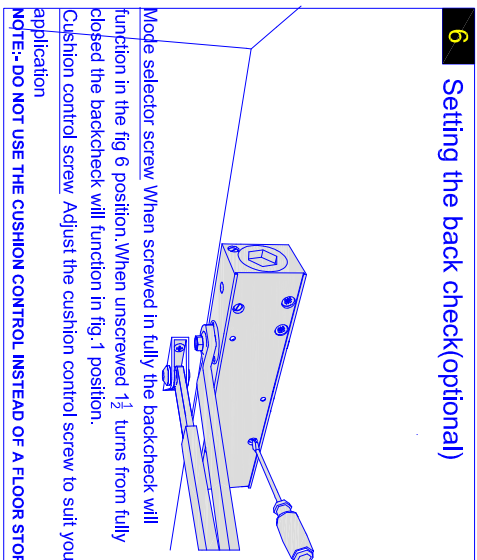
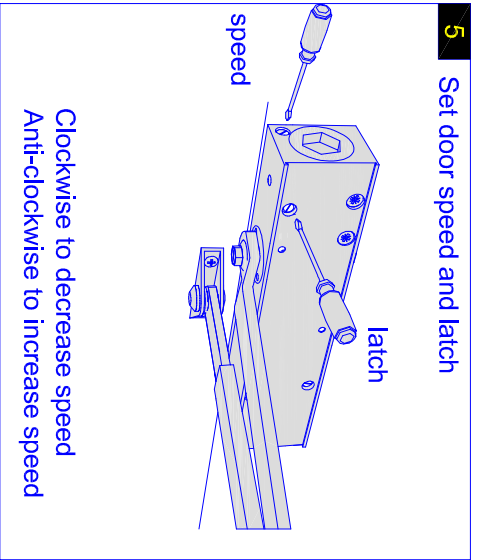
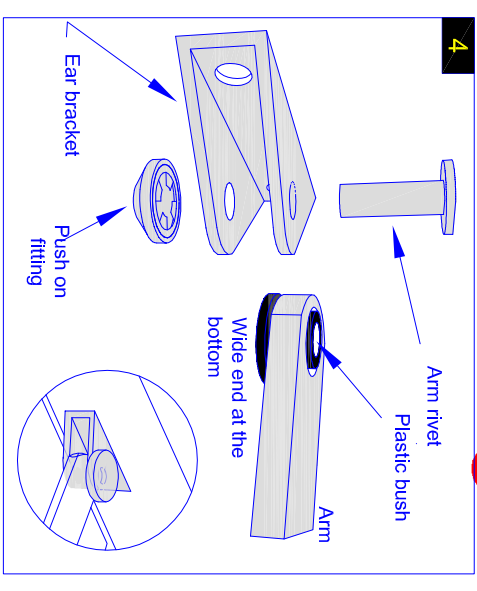
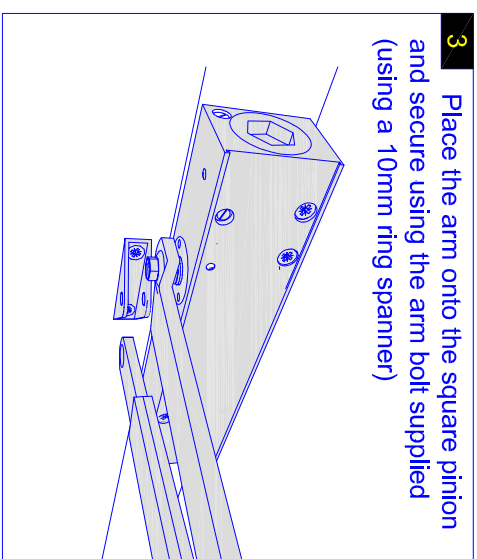
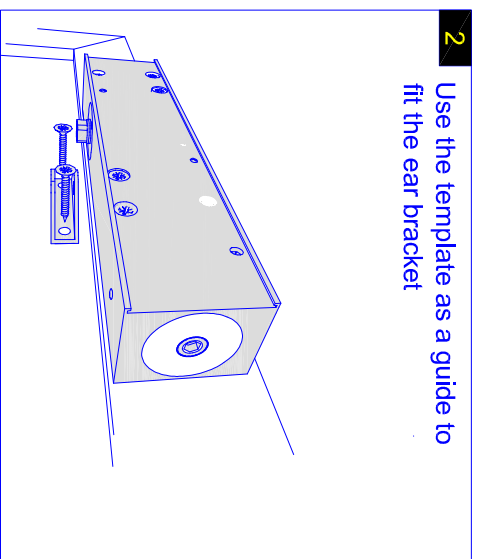
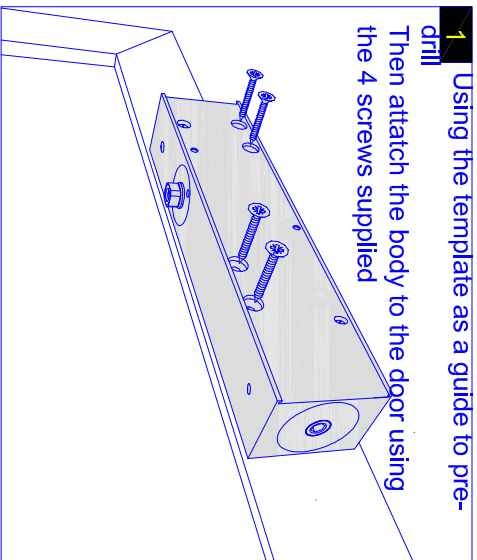
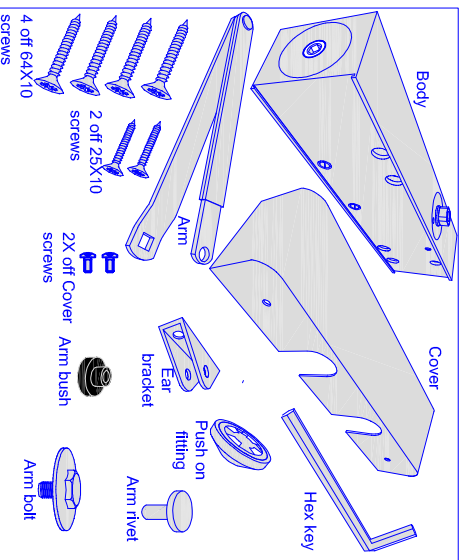
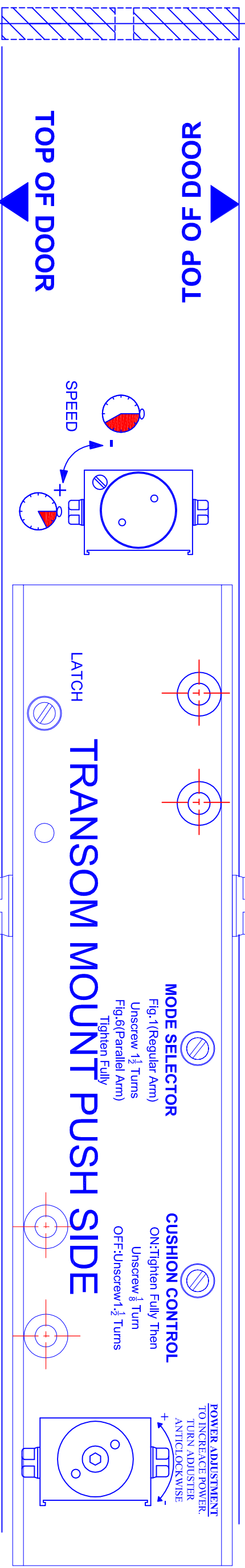
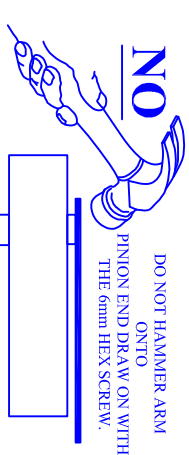
4. When fitting in parallel mode your mode selector screw should be screwed in tight. For all other instructions follow 5/6/7/8 and 9 over leaf.



ARROW ARCHITECTURAL
 Tything Road
 Alcester
 B496ES
 1121-CPR- AD0086 EN1154:1996/A1:2002/A/C:2006
 383113



APPROVED PRODUCT
 CF 277



MAINTENANCE

Periodically apply light oil to the arm knuckle joint and check all screws and the pinion bolt are tight